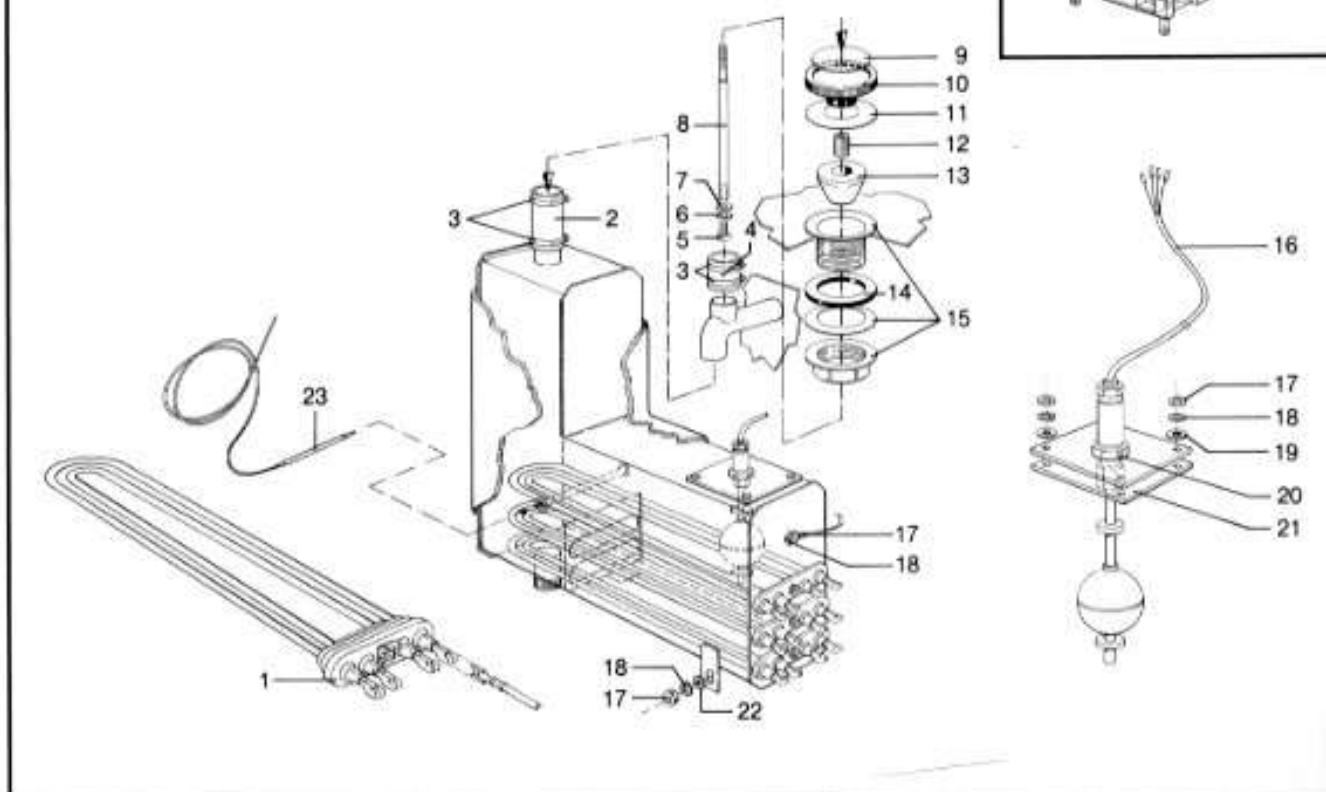
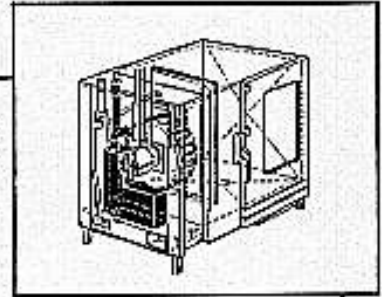


Steam Generator

Component Group	Page	Edition	applicable from Serial No.
4	4.1	4.1.1	11M 86 03 1003

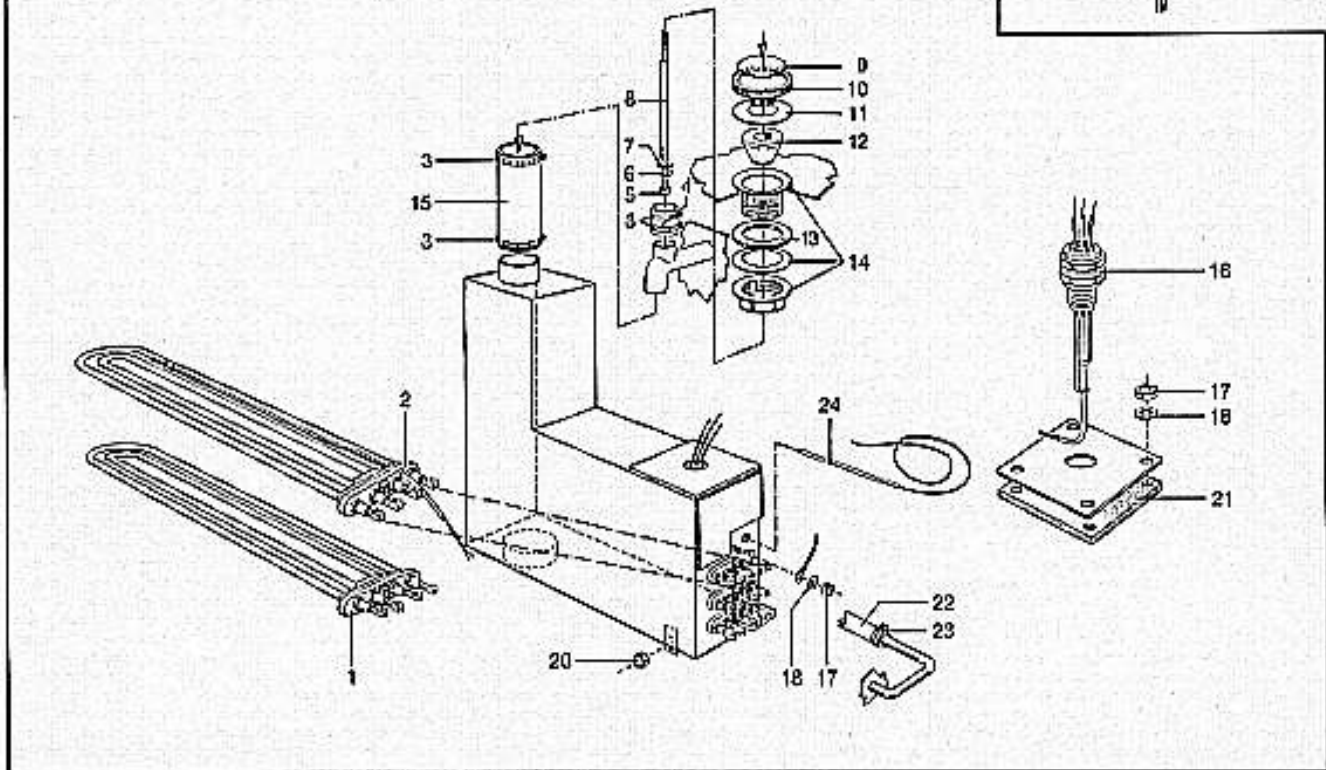


Pos.	Pcs.	Sp. Part No.	Description	Sign
-	1	8300.0003	steam generator complete	
-	1	8404.4000	safety valve complete (pos. 5 - 15)	
1	3	3004.3505	heating element 2x3 kW	
2	1	2067.0202	steam hose 150 mm long	
3	4	2066.0504	hose clamp 40 - 60 mm	
4	1	2067.0201	steam hose 50 mm long	
5	1	1005.0660	hex socket head screw M 5 x12	
6	1	1205.0360	spring washer	
7	1	1305.0260	washer A 5,3	
8	1	2026.0400	guide bar	
9	1	2049.0800	cover plate aluminium	
10	1	2020.0300	plastic handle for safety valve	
11	1	5012.0526	gasket	
12	1	2026.0300	thread insert	
13	1	2026.0200	cone for safety valve	
14	1	5012.0527	gasket	
15	1	2064.0100	valve body	
16	1	3016.1201	level switch	S5
17	6	1106.0160	hex nut M6	
18	6	1206.0120	toothed lock washer A 6,4	
19	4	1306.0120	washer A 6,4	
20	1	2040.0101	hex nut G 3/8"	
21	1	5012.0528	gasket	
22	1	1306.0221	washer A 6,4	
23	1	3014.0150	sensor	B3
			steam generator	



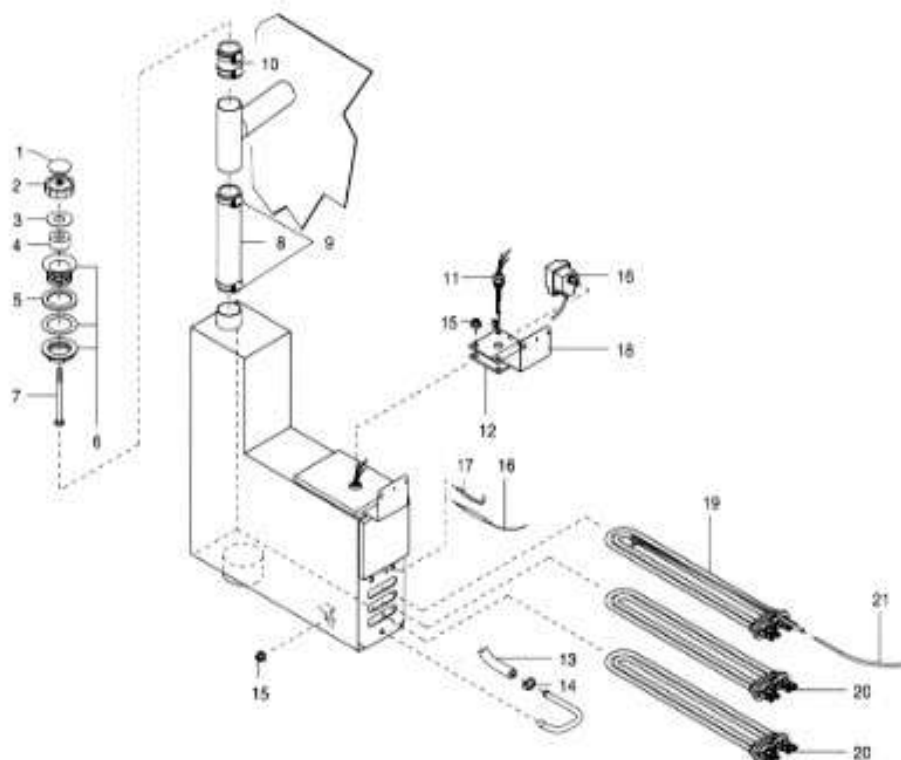
Steam Generator

Component Group	Page	Edition	applicable from Serial No.
4	4.1	4.1.2	11M 89 10 4001

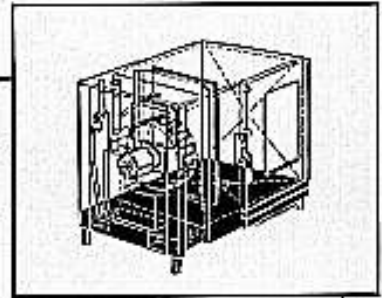


Pos.	Pos. Sp.	Part No.	Description	Sign
-	1	8300.0071	steam generator complete	
-	1	8404.4000	safety valve complete (pos. 5-14)	
1	2	3004.3505	heating element 2x3 KW	
2	1	3004.3516	heating element 2x3 KW with thermocouple	
3	4	2066.0604	hose clamp 40-50 mm	
4	1	2067.0201	steam hose 50 mm long	
5	1	1006.0660	hex socket head screw M 5x12	
6	1	1206.0360	spring washer	
7	1	1305.0260	washer A5,3	
8	1	2026.0400	guide bar	
9	1	2049.0800	cover plate aluminium	
10	1	2020.0300	plastic handle for safety valve	
11	1	5012.0526	gasket	
12	1	2026.0200	cone for safety valve	
13	1	5012.0527	gasket	
14	1	2064.0100	valve body	
15	1	2067.0202	steam hose	
16	1	3002.0402	filling-level control 90 mm	
17	5	1106.0160	hex nut M6	
18	5	1206.0120	toothed lock washer A6,4	
20	1	1106.0801	hex-combi-nut M6	
21	1	5012.0537	gasket	
22	1	2067.0124	pressure hose 1300 mm	
23	1	2066.0202	hose clamp	
24	1	3014.0150	sensor steam generator	B3

Dampfgenerator	Spannung	Baugruppe	Ausgabe	gültig ab Seriennummer
Steam generator	Voltage	Group	Edition	Applicable from Serial.No.
	3 N AC 400V 50Hz	4	4.1.4	11M96011001

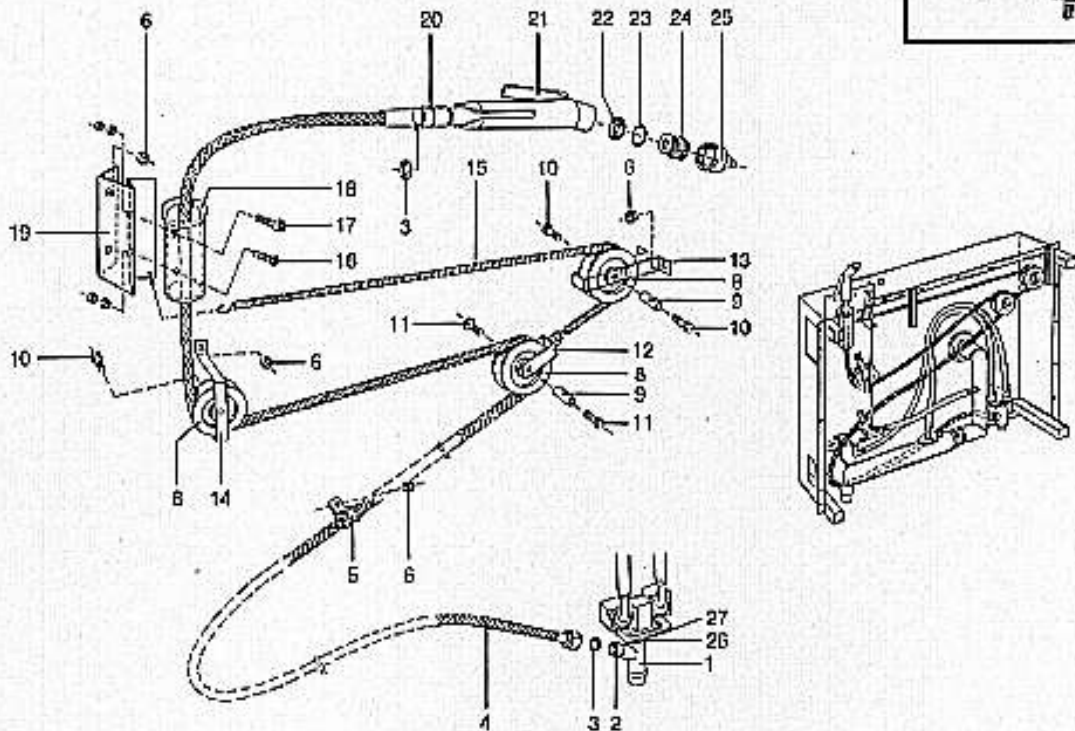


Pos.	St.	Ersatzl.Nr.	Bezeichnung	Description
Pos.	Pcs.	Sp. Part No.		
-	1	8300.0087	SC-Dampfgenerator kpl.	SC-steam generator cpl.
-	1	8404.4000	Sicherheitsventil kpl.	Safety valve complete
1	1	2049.0800	Alu-Deckschild für Sicherheitsventil	Cover plate aluminum for safety valve
2	1	2020.0301	Griffscheibe Sicherheitsventil	Plastic-handle for safety-valve
3	1	5012.0526	Dichtung für Sicherheitsventil	Gasket for safety valve
4	1	2026.0201	Verschlußkegel Sicherheitsventil	Cone for safety valve
5	1	5012.0527	Dichtung für Sicherheitsventilgehäuse	Gasket for safety valve housing
6	1	2064.0100	Einfüllstutzen Typ 6/101	Safety valve housing
7	1	1008.0764	Sechskantschraube M8x110 f.Griffscheibe	Hex screw M8x110 for safety valve
8	1	2067.0202	Dampfschlauch NW42 150mm lang	Steam hose 150mm long
9	4	2066.0504	Schlauchschele 40-60mm	Hose clamp 40-60mm
10	1	2067.0201	Dampfschlauch NW42 60 mm lang	Steam-hose 60mm long
11	1	3002.0402	Füllstandselektrode 90mm	Filling-level electrode 90mm
12	1	5012.0537	Dichtung für Füllstandselektrode	Gasket for filling-level elektrode
13	1	2067.0162	Silikonschlauch 1370mm lang	Silicone hose 1370mm long
14	1	2066.0205	Schlauchschele 12-18mm	Hose clamp 12-18mm
15	5	1106.0801	Sechskant-Combi-Mutter M6	Hex combination nut M6
16	1	3014.0300	Trockengehschutz 125°C	Dry up protector 125°C
17	1	2544.101230	Klemmblech Dampfgenerator	Clamping plate thermostat steam generator
18	1	2520.311089	Halterung für Trockengehschutz	Holder for dry up protector
19	1	3004.4157	Tauchheizkörper 2x3kW 400V mit Fühlerrohr	Heating element 2x3kW 400V with sensor pipe
20	2	3004.4302	Tauchheizkörper 2x3kW 400V	Heating element 2x3KW 400V
21	1	3014.0165	Thermoelement Dampfgenerator	Thermo element steam generator



Bottom (Hand Shower)

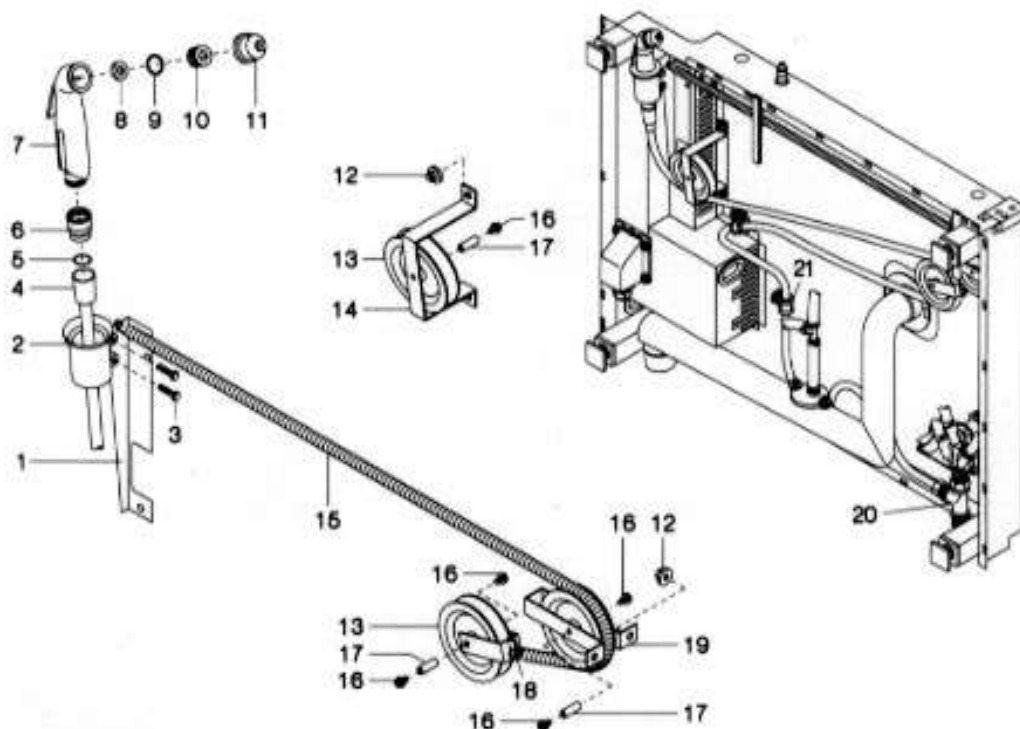
Component Group	Page	Edition	applicable from Serial No.
10	10.2	10.2.1	11M 89 04 1210



Pos.	Pcs.	Sp.	Part No.	Description	Sign	Pos.	Pcs.	Sp.	Part No.	Description	Sign
1	1		2036.0501	T-fitting 1/2"		-	1		8630.0105	holder 2 complete (pos. 8,10,14)	
2	1		2062.0103	reducing nipple							
3	2		5012.0538	gasket							
4	1		2067.0600	shower hose with gasket							
5	1		2068.0510	hose clip							
6	7		1106.0801	hex combi nut							
8	3		2060.0112	hose reel							
9	2		2060.0115	axle							
10	3		1005.2000	ratchet safety screw M 5x8							
11	5		1005.0126	countersunk head screw M 5x6							
12	1		8080.0103	bow, welded							
13	1		2510.640887	holder 3							
14	1		8630.0101	holder 2, welded							
15	1		2002.0400	tension spring							
16	1		1004.0430	hex screw M 4x16							
17	1		1004.0664	hex socket head cap screw M 4x16							
18	1		2060.0111	tulip						from 11M89092056: 2060.0116	
19	1		2510.590742	holder 1						from 11M89092056: 2510.590845	
20	1		2060.0110	revolving joint							
21	1		2060.0100	hand shower with guide complete							
22	1		2060.0218	gasket for hand shower							
23	1		2060.0217	O-ring gasket							
24	1		2060.0216	head screw							
25	1		2060.0215	mouthpiece							
26	1		2036.0101	reducing nipple 1/2"x3/4"							
27	1		5012.0529	gasket							
-	1		8630.0108	bow complete							
-	1		8630.0106	holder 3 complete (pos. 8,9,10,13)							

Bottom (Hand Shower)

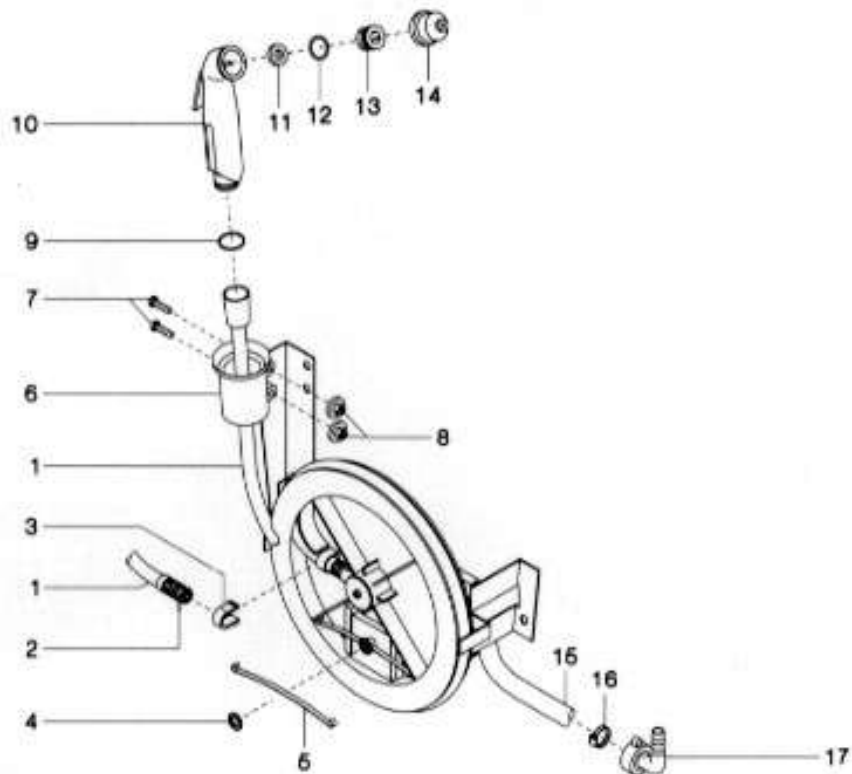
Voltage	Group	Page	Edition	Application from Serial. No.
3 N AC 380V 50Hz	10	10.2	10.2.2	11M92051614



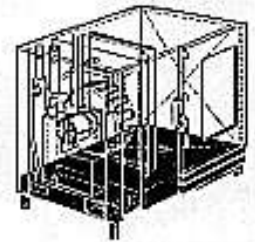
Pos.Pcs.	Sp.	Part No.	Description	Sign.
-	1	8630.0120	holder 2 cpl. (pos. 13,14,16,17)	
-	1	8630.0105	holder 3 cpl. (pos. 13,16,17,19)	
-	1	8630.0108	bow cpl. (pos. 13,16,17,18)	
1	1	2510.591415	holder for tulip	
2	1	2060.0121	tulip	
3	2	1008.0751	hexagon cap'screw M5x25	
4	1	2067.0600	shower hose	
5	2	5012.0536	gasket for shower hose	
6	1	2060.0110	revolving joint	
7	1	2060.0100	hand shower cpl. (incl. pos. 8,9,10,11)	
8	1	2060.0218	gasket	
9	1	2060.0217	O-ring	
10	1	2060.0216	head screw	
11	1	2060.0215	mouthpiece	
12	9	1106.0801	hex-combi-nut M6	
13	3	2060.0112	hose reel	
14	1	8630.0121	holder 2 welded	
15	1	2002.0400	tension spring	
16	5	1005.2000	safety screw M5x8	
17	2	2060.0115	axle	
18	1	8630.0103	bow, welded	
19	1	2510.640687	holder 3	
20	1	8630.0109	T-connection pice cpl.	
21	2	2066.0510	hose climp	

Bottom (Hand Shower)

Voltage	Group	Page	Edition	Application from Serial. No.
3 N AC 380V 50Hz	10	10.2	10.2.3	11M93011001

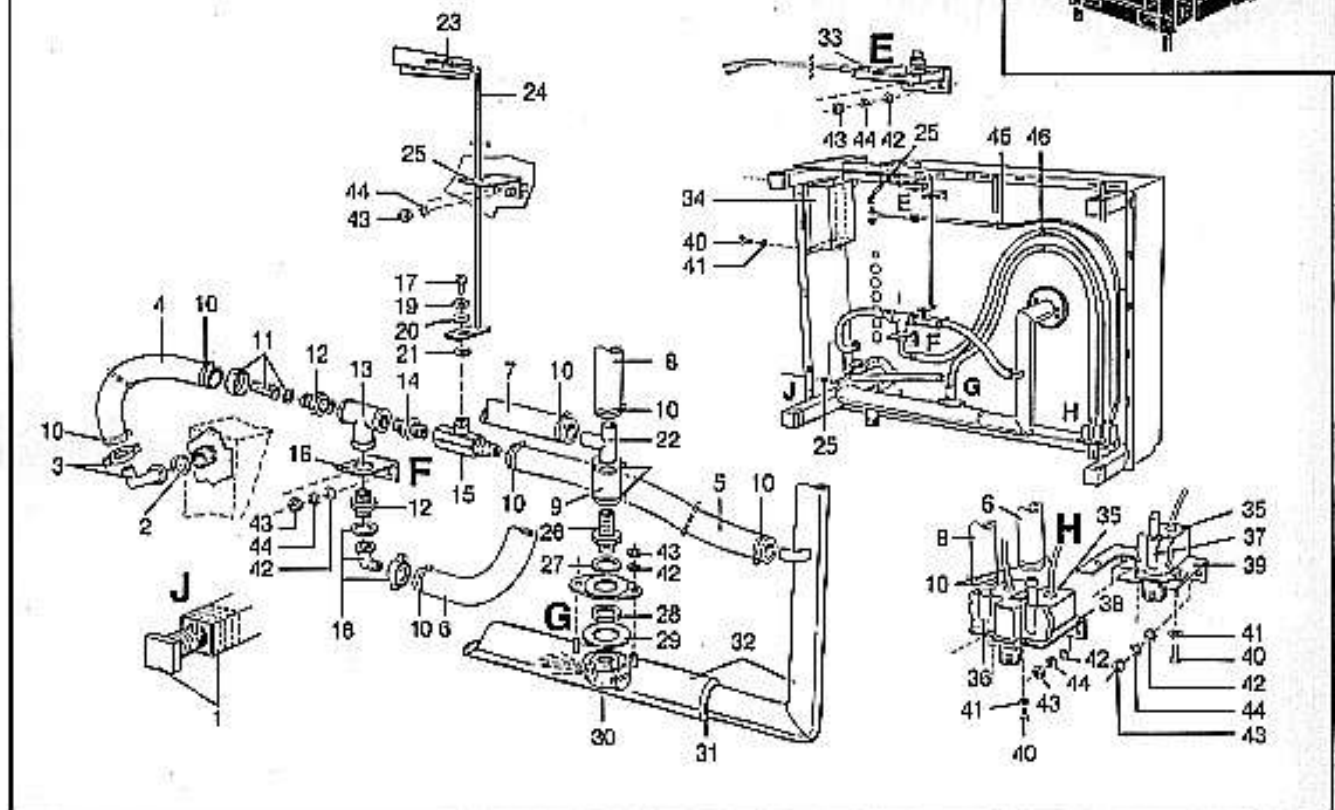


Pos.	Pcs.	Sp.	Part No.	Description	Sign.
-	1		8410.1013	hand shower roll guide kpl.	
1	1		2067.0605	shower hose	
2	2		2060.0228	gasket for shower hose	
3	1		2060.0152	climp for shower hose	
4	1		2001.0203	lock washer	
5	1		2001.0202	fastening spring	
6	1		2060.0121	tulip	
7	2		1008.0751	hex screw M5x25	
8	2		1105.0122	hex-combi-nut M5	
9	1		5012.0536	gasket for shower hose	
10	1		2060.0100	hand shower cpl. (incl. pos. 11,12,13,14)	
11	1		2060.0218	gasket	
12	1		2060.0217	O-ring	
13	1		2060.0216	head screw	
14	1		2060.0215	mouthpiece	
15	1		2067.0060	pressure hose 900mm long	
16	2		2066.0205	hose clamp 12-18mm	
17	1		2062.0203	threaded pipe angle G3/4"	



Bottom (Lower elevation)

Component Group	Page	Edition	applicable from Serial No.
10	10.1	10.1.1	11M 86 03 1003

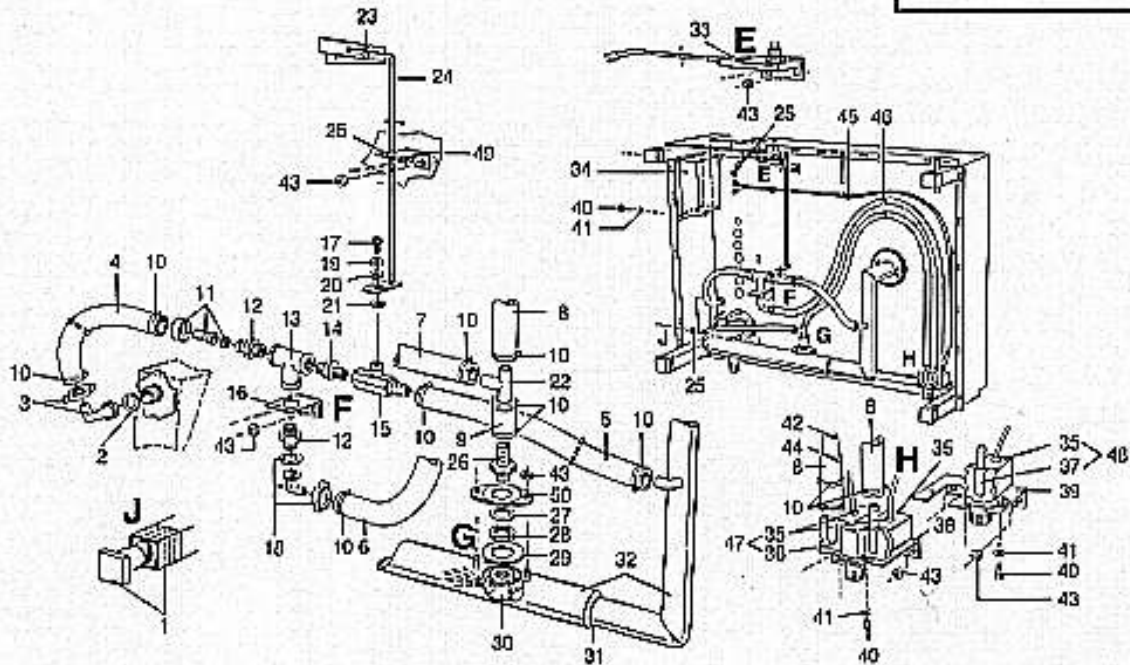


Pos.	Pcs.	Sp.	Part No.	Description	Sign	Pos.	Pcs.	Sp.	Part No.	Description	Sign
1	4		2039.0100	foot adjustable		32	1		2070.0011	drain system completa	
2	1		5012.0529	sealing ring for elbow fitting		33	1		3016.1400	door switch	
3	1		2062.0200	elbow fitting G 3/4"		34	1		3038.0200	terminal box	
4	1		2067.0301	pressure hose 150 mm long		35	2		3002.0324	coil for solenoid valve	
5	1		2067.0302	pressure hose 290 mm long		36	1		3002.0314	body for double solenoid valve	
6	1		2067.0106	pressure hose 1000 mm long		37	2		3002.0301	body for 2 single solenoid valves (option)	
7	1		2067.0102	pressure hose 430 mm long		38	1		2580.720384	holder for double solenoid valve	
8	1		2067.0104	pressure hose 760 mm long		39	1		2580.910401	holder for 2 single solenoid valves (option)	
9	1		2067.0101	pressure hose 90 mm long		40	4		1004.0660	hex socket head cap screw M 4x10	
10	6		2086.0202	hose clamp 12 - 22 mm		41	4		1204.0120	toothed lock washer A 4,3	
11	1		2062.0202	fitting/hose nipple G 3/4"		42	8		1306.0221	washer A 6,4	
12	2		1500.1579	nipple G 1/2" x G 3/4"		43	8		1106.0160	hex nut M6	
13	1		2036.0501	T-fitting 1/2"		44	8		1206.0120	toothed lock washer A 6,4	
14	1		2062.0103	double nipple 1/2"		45	3		4006.0201	cable clamp	
15	1		2062.0100	ball valve		46	2		4006.0203	cable clamp	
16	1		2580.730385	holder for T-fitting							
17	1		1006.0300	slotted raised countersunk head screw							
18	1		2062.0203	elbow fitting 3/4"							
19	1		1206.0120	toothed lock washer A 5,3							
20	1		1306.0260	washer A 5,3							
21	1		1308.0560	washer							
22	1		2062.0302	T-fitting							
23	1		4006.0202	cable clamp							
24	1		8410.0100	lever for drain valve							
25	4		2022.0101	grammet							
26	1		2062.0102	hose fitting G 3/8"							
27	1		5012.0532	gasket							
28	1		2040.0101	hex nut G 3/8"							
29	1		2070.0020	gasket							
30	1		2016.0900	quench nozzle							
31	1		2070.0013	gasket element							

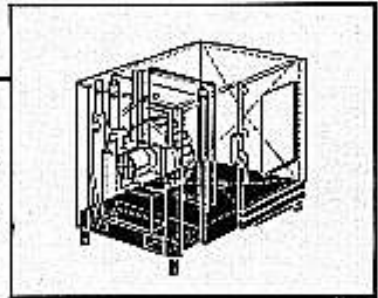


Bottom (Lower elevation)

Component Group	Page	Edition	applicable from Serial No.
10	10.1	10.1.2	11M 89 04 1210

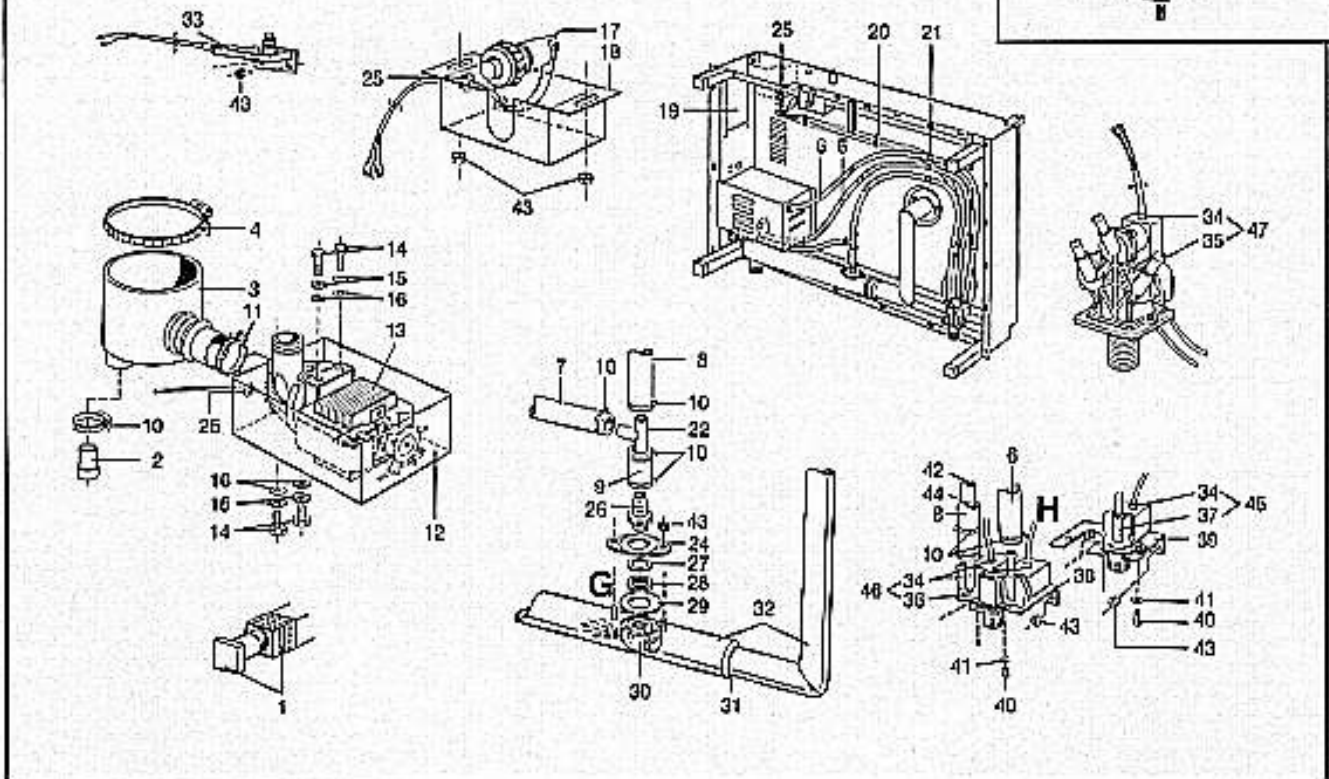


Pos.	Pos.	Sp.	Part No.	Description	Sign	Pos.	Pos.	Sp.	Part No.	Description	Sign
1	4		2039.0100	foot adjustable		26	1		2062.0102	hose fitting G 3/8"	
2	1		5012.0528	sealing ring for elbow fitting		27	1		5012.0532	gasket	
3	1		2062.0200	elbow fitting G 3/4"		28	1		2580.600594	washer	
4	1		2067.0301	pressure hose 150 mm long		29	1		2070.0020	gasket	
5	1		2067.0302	pressure hose 280 mm long		30	1		2016.0900	quench nozzle	
6	1		2067.0105	pressure hose 1000 mm long		31	1		2070.0013	gasket element	
7	1		2067.0102	pressure hose 430 mm long		32	1		2070.0011	drain system complete	
8	1		2067.0104	pressure hose 760 mm long		33	1		3016.1400	door contact switch	
9	1		2067.0101	pressure hose 90 mm long		34	1		3038.0200	terminal box	
10	7		2066.0202	hose clamp 12-22 mm		35	2		3002.0324	coil for solenoid valve	
11	1		2062.0202	fitting G 3/4"		36	1		3002.0314	body for double solenoid valve	
12	2		1500.1579	nipple G 1/2" x G 3/4"		37	2		3002.0301	body for 2 single solenoid valves (option)	
13	1		2036.0501	T-fitting 1/2"		38	1		2580.720384	holder for double solenoid valve	
14	1		2062.0103	double nipple 1/2"		39	1		2580.910401	holder for 2 single solenoid valves (option)	
15	1		2062.0100	ball valve		40	4		1004.0860	hex socket head cap screw M 4x10	
16	1		2590.730385	holder for T-fitting		41	4		1204.0120	toothed lock washer A4,3	
17	1		1006.0300	slotted raised countersunk head screw		42	1		1900.0101	flow regulator green	
18	1		2062.0203	elbow fitting 3/4"		43	10		1106.0801	hex combi nut M6	
19	1		1205.0120	toothed lock washer A5,3		44	1		2016.0867	socket for flow regulator	
20	1		1305.0260	washer A5,3		45	3		4006.0201	cable clamp	
21	1		1308.0560	washer		46	2		4006.0203	cable clamp	
22	1		2062.0302	T-fitting		47	1		3002.0304	double solenoid valve complete	
23	1		4006.0202	cable clamp		48	2		3002.0305	2 single solenoid valves complete	
24	1		8410.0100	lever for ball valve		49	1		2590.740386	holding strap for lever for ball valve	
25	4		2022.0101	grommet		50	1		2070.0021	cover for quench nozzle	
						-	1		8612.0102	quench nozzle complete (pos. 26, 27, 50, 28, 29, 30)	



Bottom (Lower elevation)

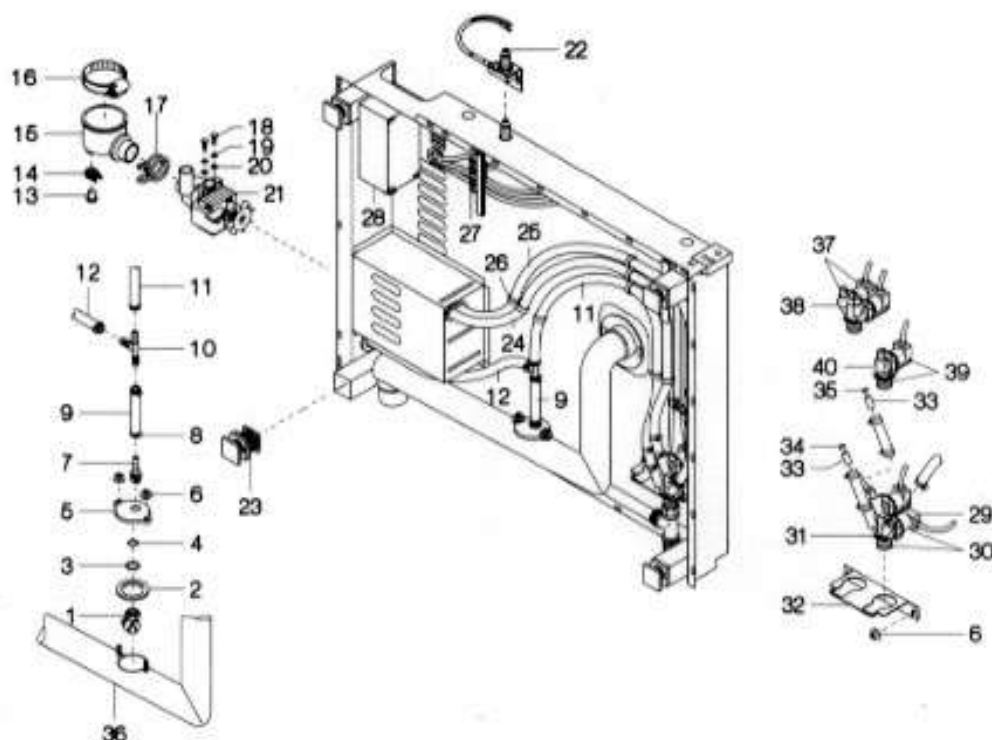
Component Group	Page	Edition	applicable from Serial No.
10	10.1	10.1.3	11M 89 10 4001



Pos.	Pcs.	Sp. Part No.	Description	Sign	Pos.	Pcs.	Sp. Part No.	Description	Sign
1	4	2039.0100	foot adjustable		28	1	2580.600594	washer	
2	1	2016.0873	plug for pump connection		29	1	2070.0020	gasket	
3	1	2022.0110	pump connection		30	1	2016.0900	quench nozzle	
4	1	2068.0505	hose clamp 70-90 mm		31	1	2070.0013	gasket element	
5	1	2067.0133	pressure hose 1900 mm long		32	1	2070.0028	drain system complete	
6	1	2067.0124	pressure hose 1300 mm long		33	1	3016.1400	door contact switch	
7	1	2067.0131	pressure hose 900 mm long		34	3	3002.0324	coil for solenoid valve	
8	1	2067.0119	pressure hose 630 mm long		35	1	3002.0315	body for triple solenoid valve	
9	1	2067.0126	pressure hose 100 mm long		36	1	3002.0314	body for double solenoid valve (option)	
10	8	2066.0202	hose clamp 12-22 mm		37	1	3002.0301	body for single solenoid valves (option)	
11	1	2066.0506	hose clamp		38	1	2580.720384	holder for triple solenoid valve	
12	1	2510.6909B5	cover for discharging pump		39	1	2580.910401	holder for 1 single solenoid valve and 1 double solenoid valve (option)	
13	1	3002.1000	discharging pump socket countersunk head		40	5	1004.0860	hex socket head cap screw M 4x10	
14	4	1006.1960	socket countersunk head screw M 6x16		41	5	1204.0120	toothed lock washer A 4,3	
15	4	1206.0120	toothed lock washer A 6,4		42	1	1900.0101	flow regulator blue	
16	4	1306.0120	washer A 6,4		43	8	1106.0801	hex-combi-nut M 6	
17	1	3016.1352	pushbutton		44	1	2016.0867	socket for flow regulator	
18	1	2581.020843	holder for pushbutton		45	1	3002.0306	single solenoid valves complete	
19	1	3038.0200	terminal box		46	1	3002.0304	double solenoid valve complete	
20	9	4006.0201	cable clamp		47	1	3002.0311	triple solenoid valve complete	
21	9	4006.0203	cable clamp		-	1	8612.0102	quench nozzle complete (pos. 26, 27, 50, 28, 29, 30)	
22	1	2062.0302	T-fitting						
24	1	2070.0021	cover for quench nozzle						
25	2	2022.0101	grommet						
26	1	2062.0102	hose fitting G 3/8"						
27	1	5012.0532	gasket						

Bottom (Lower elevation)

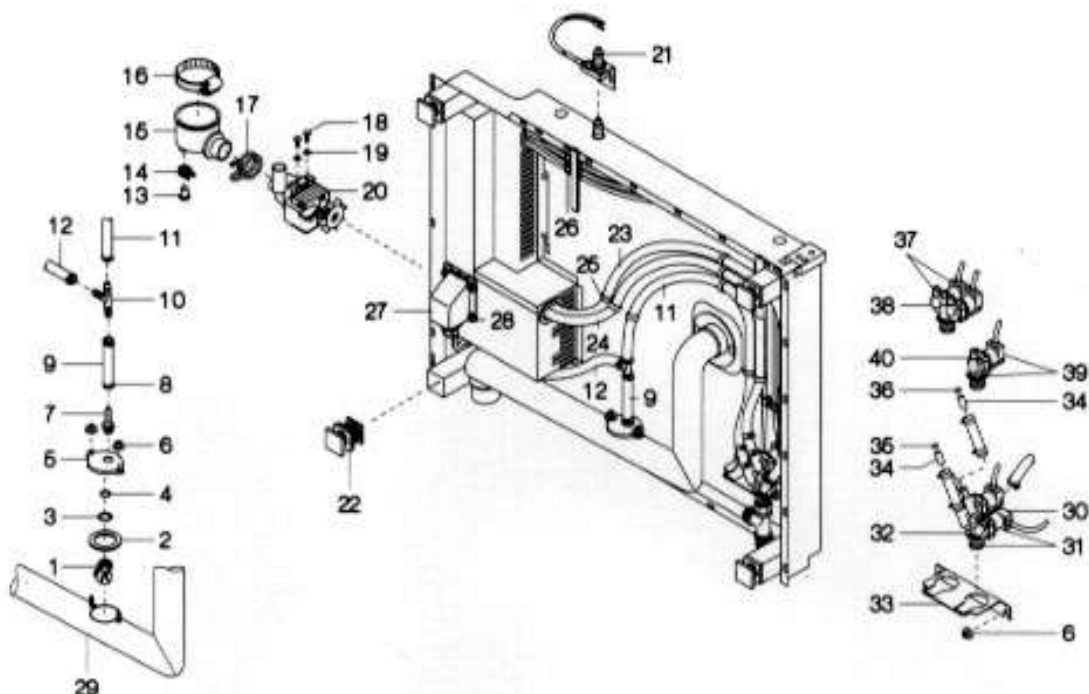
Voltage	Group	Page	Edition	Application from Serial. No.
3 N AC 380V 50Hz	10	10.1	10.1.4	11M91042001



Pos.Pcs.	Sp.	Part No.	Description	Sign.	Pos.Pcs.	Sp.	Part No.	Description	Sign.
-	1	8612.0102	quenching nozzle cpl. (pos. 1,2,3,4,5,7)		30	1	3002.0328	triple solenoid valve cpl.	
1	1	2016.0900	quenching nozzle		31	1	3002.0315	body for triple solenoid valve	
2	1	2070.0020	gasket		32	1	2580.721120	holding bracket	
3	1	2580.600594	washer		33	2	2016.0867	socket for flow regulator	
4	1	5012.0532	O-ring		34	1	1900.0101	flow regulator green for quenching	
5	1	2070.0021	cover		35	1	1900.0102	flow regulator red for steam generator filling	
6	6	1106.0801	hex-combi-nut M6		36	1	2070.0038	drain system cpl.	
7	1	2062.0102	hose fitting G3/8"		37	1	3002.0327	double solenoid valve cpl. (option)	
8	11	2066.0205	hose clamp 12-18mm		38	1	3002.0314	body for double solenoid valve (option)	
9	1	2067.0126	pressure hose 100mm long		39	1	3002.0305	single solenoid valve cpl. (option)	
10	1	2062.0302	T-fitting		40	1	3002.0301	body for single solenoid valve (option)	
11	1	2067.0103	pressure hose 660mm long						
12	1	2067.0153	pressure hose 950mm long						
13	1	2016.0873	plug for pump connection						
14	1	2066.0517	hose clamp 18,2mm						
15	1	2022.0110	pump connection						
16	1	2066.0516	hose clamp 60-80mm						
17	1	2066.0519	hose clamp 35,5mm						
18	2	1006.1960	hex cap screw M6x16						
19	2	1206.0120	toothed lock washer A6,4						
20	2	1306.0120	washer A6,4						
21	1	3002.1000	discharging pump	M2					
22	1	3016.1400	door switch	S2					
23	4	2039.0100	foot adjustable						
24	1	2067.0120	pressure hose 1420mm long						
25	1	2067.0124	pressure hose 1300mm long						
26	12	4006.0203	hose clamp						
27	9	4006.0201	cable clamp						
28	1	3038.0200	terminal box						
29	3	3002.0329	coil						

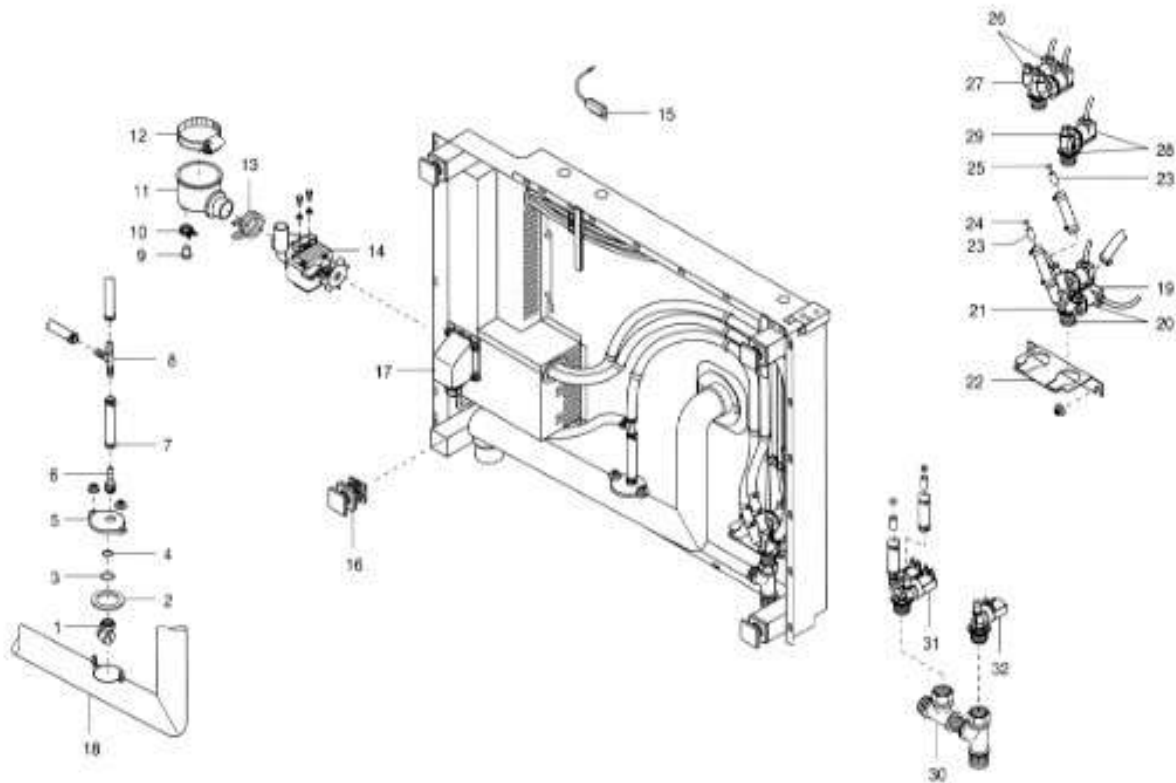
Bottom (Lower elevation)

Voltage	Group	Page	Edition	Application from Serial. No.
3 N AC 380V 50Hz	10	10.1	10.1.5	11M92051614

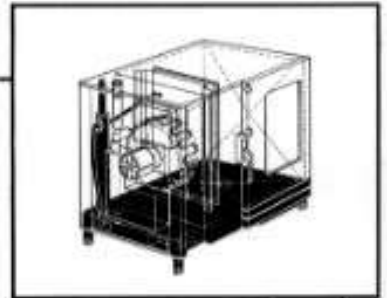


Pos.Pcs.	Sp.	Part No.	Description	Sign.	Pos.Pcs.	Sp.	Part No.	Description	Sign.
-	1	8612.0102	quenching nozzle cpl. (pos. 1,2,3,4,5,7)		30	3	3002.0329	coil	
1	1	2016.0900	quenching nozzle		31	1	3002.0328	triple solenoid valve cpl.	
2	1	2070.0020	gasket		32	1	3002.0315	body for triple solenoid valve	
3	1	2580.600594	washer		33	1	2580.721120	holding bracket	
4	1	5012.0532	O-ring		34	2	2016.0867	socket for flow regulator	
5	1	2070.0021	cover		35	1	1900.0101	flow regulator green for quenching	
6	6	1106.0801	hex-combi-nut M6		36	1	1900.0102	flow regulator red for steam generator filling	
7	1	2062.0102	hose fitting G3/8"		37	1	3002.0327	double solenoid valve cpl. (option)	
8	9	2066.0205	hose clamp 12-18mm		38	1	3002.0314	body for double solenoid valve (option)	
9	1	2067.0126	pressure hose 100mm long		39	1	3002.0305	single solenoid valve cpl. (option)	
10	1	2062.0302	T-fitting		40	1	3002.0301	body for single solenoid valve (option)	
11	1	2067.0103	pressure hose 660mm long						
12	1	2067.0153	pressure hose 950mm long						
13	1	2016.0873	plug for pump connection						
14	1	2066.0517	hose clamp 18,2mm						
15	1	2022.0110	pump connection						
16	1	2066.0516	hose clamp 60-80mm						
17	1	2066.0519	hose clamp 35,5mm						
18	2	1006.1960	hexagon cap screw M6x16						
19	2	1306.0120	washer A6,4						
20	1	3002.1000	discharging pump	M2					
21	1	3016.1400	door switch	S2					
22	4	2039.0100	foot adjustable						
23	1	2067.0120	pressure hose 1420mm long						
24	1	2067.0124	pressure hose 1300mm long						
25	12	4006.0203	hose clamp						
26	9	4006.0201	cable clamp						
27	1	8801.0206	terminal box						
28	4	1105.0122	hex-combi-nut M5						
29	1	2070.0038	drain system cpl.						

Bodengruppe (Unterseite)	Spannung	Baugruppe	Ausgabe	gültig ab Seriennummer
Bottom (Lower elevation)	Voltage	Group	Edition	Applicable from Serial.No.
	3 N AC 400V 50Hz	10	10.1.7	11M96011001

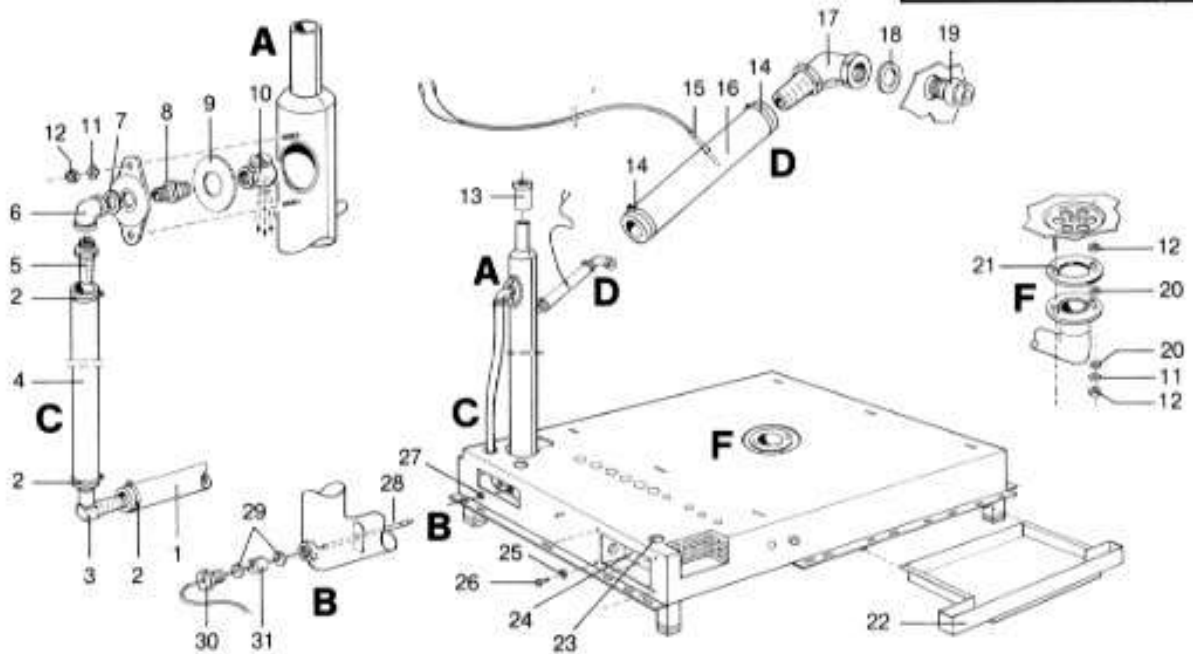


Pos.	St.	Ersatz.Nr.	Bezeichnung	Description
Pos.	Pcs.	Sp. Part No.		
-	-	2067.0050	Druckschlauch NW10 1 lfm.	Pressure hose NW10 per meter
-	1	8612.0102	Ablöschdüse kpl. unten	Quench nozzle cpl. down
1	1	2016.0900	Ablöschdüse CM 101	Quenching nozzle
2	1	2070.0020	Dichtung für Ablöschung	Gasket for quenching
3	1	2580.600594	Scheibe für Ablöschdüse	washer for quench.nozzle
4	1	5012.0532	O-Ring Ablöschung	O-ring quenching nozzle
5	1	2070.0021	Deckel für Ablöschung	Holding cover for quenching nozzle
6	1	2062.0102	Schlauchtülle G3/8"	Hose fitting G 3/8"
7	9	2066.0205	Schlauchschelle 12-18 mm	Hose clamp 12-18 mm
8	1	2062.0302	T-Stück TS 10	T-fitting TS10
9	1	2016.0873	Stopfen für Pumpenanschluß	Plug for pump connection
10	1	2066.0517	Schlauchklemme 18,2mm	Hose clamp 18,2mm
11	1	2022.0110	Pumpenanschluss ab 04/91	Pump connection from 04/91
12	1	2066.0516	Schlauchschelle 60-80mm	Hose clamp 60x80 mm
13	1	2066.0519	Schlauchklemme d 35,6 mm	Hose clamp 35,6mm
14	1	3002.1000	Entleerungspumpe 200-240 V, 50/60 Hz	Emptying pump 200-240V 50/60 Hz
15	1	3016.1415	Türkontaktschalter	Door contact switch
16	4	2039.0100	Kunststoff-Einsteckfuß	Foot adjustable plastic
17	1	8801.0206	Anschlußkasten kpl.	Terminal box cpl.
18	1	2070.0038	Abflußsystem Typ 101 ab 04/91	Drain cpl. type 101 from 04/91
19	-	3002.0329	Magnetventilspule 220-240V 50/60Hz	Coil for solenoid valve 220-240V 50/60Hz
20	1	3002.0328	Dreifachmagnetventil kpl. Classic	Triple solenoid valve cpl. Classic
21	1	3002.0315	Gehäuse für Dreifachmagnetventil	body for triple solenoid valve
22	1	2580.721120	Haltewinkel für Zweifachmagnetventil ab 04/91	Bracket for double solenoid valve from 04/91
23	2	2016.0867	Aufnahme für Durchflußmengenregler	Socket for flow controller
24	1	1900.0101	Durchflußmengenregler grün, Typ 101	Flow controller green
25	1	1900.0102	Durchflußmengenregler rot, Typ 201	Flow controller red
26	-	3002.0327	Doppelmagnetventil kpl. (Option)	Double solenoid valve cpl. (option)
27	-	3002.0314	Gehäuse für Doppelmagnetventil (Option)	body for double solenoid valve (option)
28	-	3002.0305	Einfachmagnetventil kpl. (Option)	Single solenoid valve cpl. (option)
29	-	3002.0301	Gehäuse für Einfachmagnetventil (Option)	Body for single solenoid valve (option)
ab Seriennummer 11M9603XXXX				from serial. no. 11M9603XXXX
30	1	8621.0100	Fittingsatz Wasseranschluß	Fitting set water connection
31	1	3002.0330	Doppelmagnetventil kpl.	Double solenoid valve cpl.
32	1	3002.0331	Einfachmagnetventil kpl.	Single solenoid valve cpl.

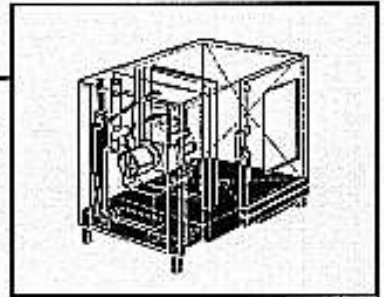


Bottom (Top elevation)

Component Group	Page	Edition	applicable from Serial No.
9	9.1	9.1.1	11M 86 03 1003

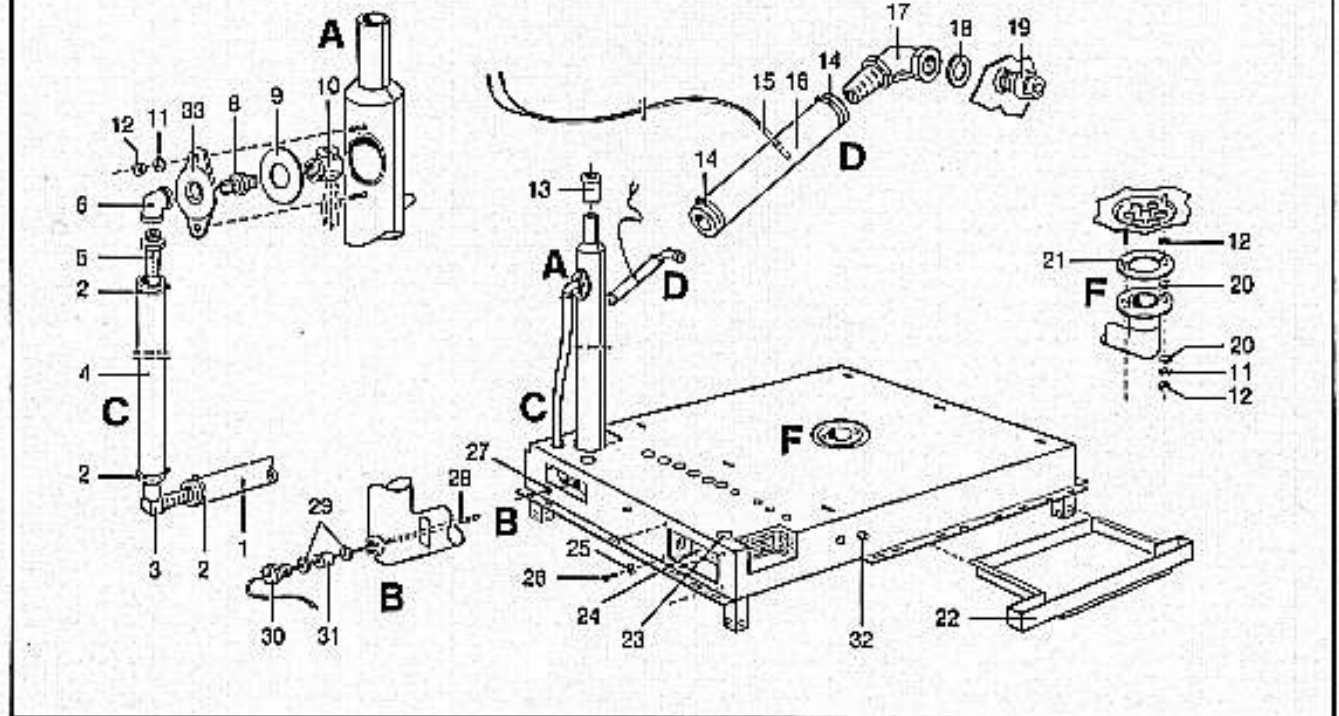


Pos.	Pcs.	Sp.	Part No.	Description	Sign	Pos.	Pcs.	Sp.	Part No.	Description	Sign
1	1		2067.0102	pressure hose 430mm long		29	2		3014.0304	washer	
2	2		2066.0202	hose clamp 12 – 22 mm		30	1		3014.0305	stuffing box nipple	
3	1		2062.0301	plastic elbow fitting		31	1		3014.0303	stuffing box packing	
4	1		2067.0103	pressure hose 650mm long							
5	1		2062.0102	hose fitting G 3/8"							
6	1		2064.0300	elbow fitting G 3/8", 90°							
7	1		5012.0532	gasket							
8	1		2064.0200	double nipple G 3/8"							
9	1		2070.0020	gasket							
10	1		2016.0900	quench nozzle							
11	4		1206.0120	toothed lock washer A 6,4							
12	6		1106.0160	hex nut M6							
13	1		4016.0601	air inlet grommet							
14	2		2066.0506	hose clamp 20 – 32 mm							
15	1		3014.0150	sensor bypass	B2						
16	1		2067.1605	silicone hose 285 mm long							
17	1		2070.0008	elbow fitting G 1/2", 90°							
18	1		1315.0100	copper washer							
19	1		2016.0850	bushing G 1/2"							
20	4		1306.0221	washer A 6,4							
21	1		5012.0525	gasket							
22	1		8100.0115	drip collector							
23	1		4016.0400	grommet							
24	1		3038.0200	terminal box							
25	4		1204.0120	toothed lock washer A 4,3							
26	4		1004.0660	hex socket head cap screw M 4x10							
27	1		2022.0101	grommet							
28	1		3014.0312	thermostat quenching system	P1						

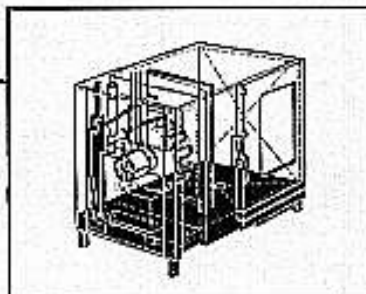


Bottom (Top elevation)

Component Group	Page	Edition	applicable from Serial No.
9	9.1	9.1.2	11M 89 04 1210

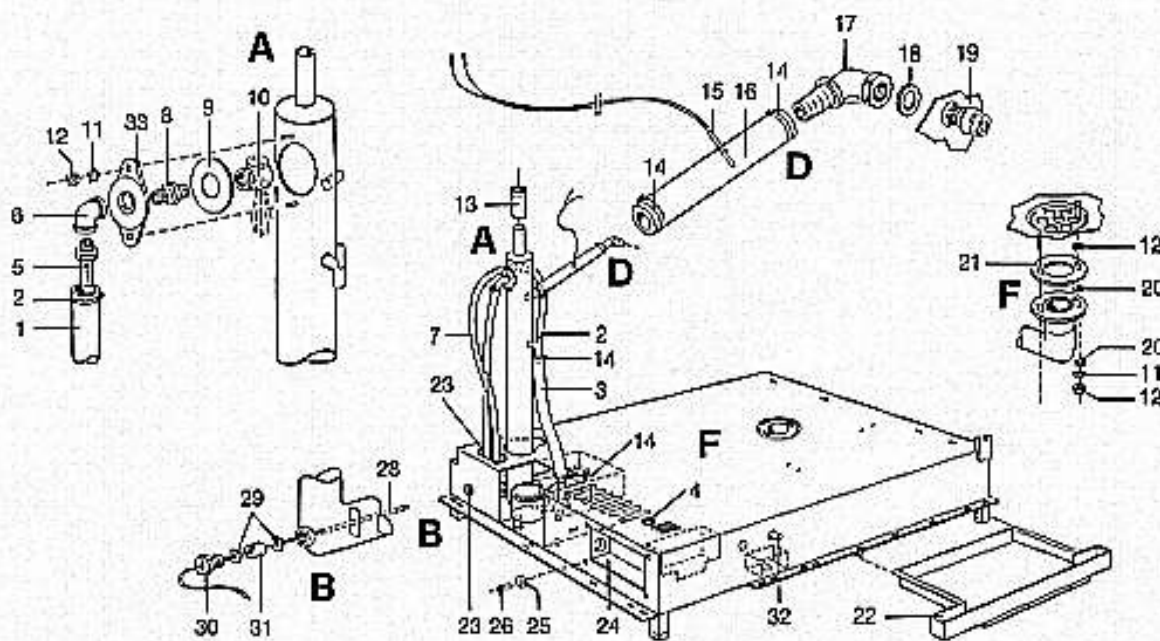


Pos.	Pcs.	Sp. Part No.	Description	Sign	Pos.	Pcs.	Sp. Part No.	Description	Sign
1	1	2067.0102	pressure hose 430 mm long		28	1	3014.0312	thermostat	P1
2	2	2066.0202	hose clamp 12-22 mm		29	2	3014.0304	quenching system washer	
3	1	2062.0301	plastic elbow fitting		30	1	3014.0305	stuffing box nipple	
4	1	2067.0103	pressure hose 650 mm long		31	1	3014.0303	stuffing box packing	
5	1	2062.0102	hose fitting G 3/8"		32	1	3016.1400	door switch	S3
6	1	2064.0300	elbow fitting G 3/4", 90 degrees		33	1	2070.0021	cover for quench nozzle	
8	1	2064.0200	double nipple G 3/8"		-	1	8812.0105	quench nozzle complete (pos. 5, 6, 33, 8, 9, 10)	
9	1	2070.0020	gasket						
10	1	2016.0900	quench nozzle						
11	4	1206.0120	toothed lock washer A6,4						
12	6	1106.0160	hex nut M6						
13	1	4016.0601	air inlet grommet						
14	2	2066.0506	hose clamp 20-32 mm						
15	1	3014.0150	sensor for steam controller B2						
16	1	2067.1605	silicone hose 285 mm long						
17	1	8450.0101	elbow fitting G 1/2", 90 degrees						
18	1	1315.0100	copper washer						
19	1	2016.0857	bushing G 1/2"						
20	4	1306.0221	washer A6,4						
21	1	5012.0525	gasket						
22	1	8100.0115	drip collector						
23	1	4016.0400	grommet						
24	1	3038.0200	terminal box						
25	4	1204.0120	toothed lock washer A4,3						
26	4	1004.0860	hex socket head cap screw M 4x10						
27	1	2022.0101	grommet						



Bottom (Top elevation)

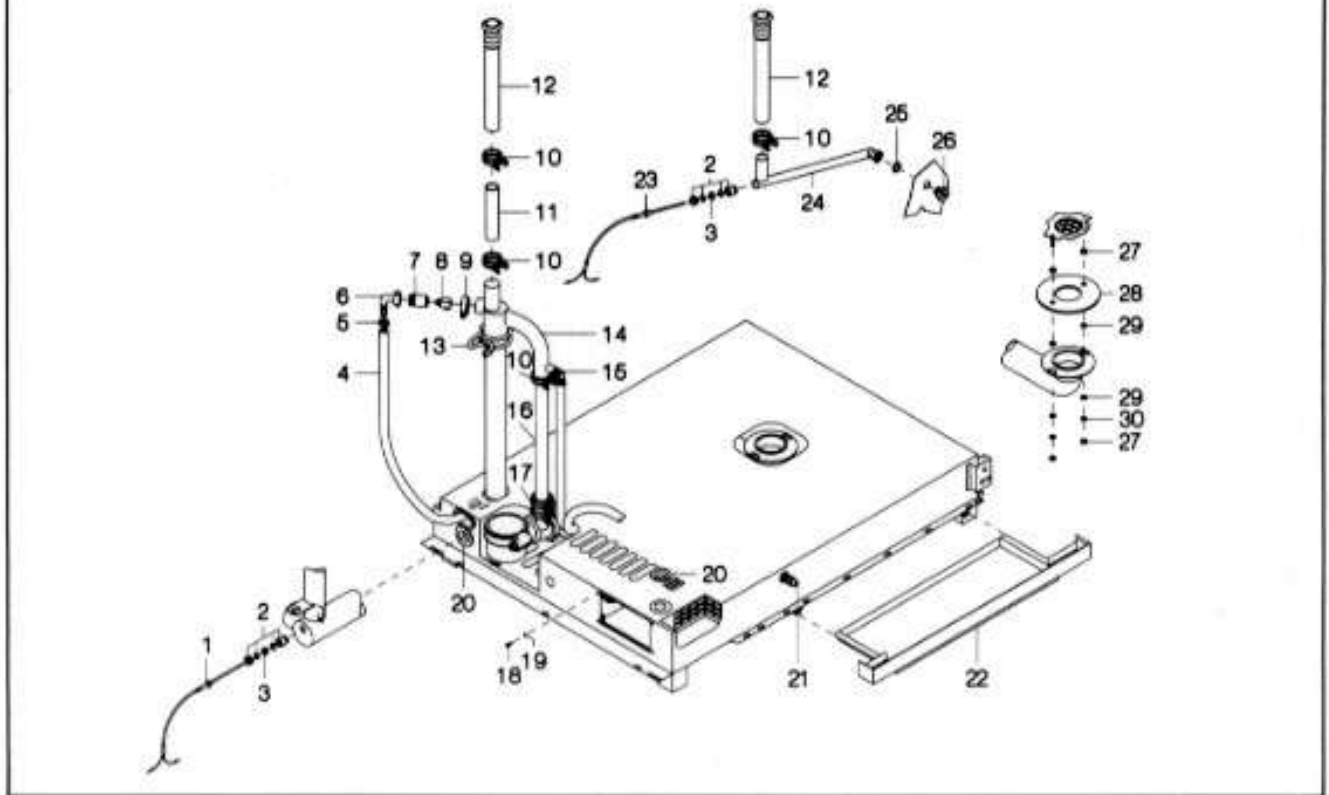
Component Group	Page	Edition	applicable from Serial No.
9	9.1	9.1.3	11M 89 10 4001



Pos.	Pcs.	Sp. Part No.	Description	Sign	Pos.	Pcs.	Sp. Part No.	Description	Sign
1	1	2067.0131	pressure hose		31	1	3014.0303	stuffing box packing	
2	2	2066.0202	hose clamp 12-22 mm		32	1	3016.1400	door switch	S3
3	1	2067.1615	silicone hose 400 mm long		33	1	2070.0021	cover for quanch nozzle	
4	2	2022.0105	grommet		-	1	8612.0105	quanch nozzle complete (pos. 5,6,33,B,9,10)	
5	1	2062.0102	hose fitting G 3/8"						
6	1	2064.0300	elbow fitting G 3/8", 90 degrees						
7	1	2067.0133	pressure hose						
8	1	2064.0200	double nipple G 3/8"						
9	1	2070.0020	gasket						
10	1	2016.0900	quench nozzle						
11	4	1208.0120	toothed lock washer A6,4						
12	6	1106.0160	hex nut M8						
13	1	4016.0601	air inlet grommet						
14	4	2066.0606	hose clamp 20-32 mm						
15	1	3014.0150	sensor for bypass	B2					
16	1	2067.1606	silicone hose 285 mm long						
17	1	B450.0101	elbow fitting G 1/2", 90 degrees						
18	1	1315.0100	copper washer						
19	1	2016.0857	bushing G 1/2"						
20	4	1306.0221	washer A6,4						
21	1	5012.0525	gasket						
22	1	8100.0115	drip collector						
23	2	4016.0450	grommet						
24	1	3038.0200	terminal box						
25	4	1204.0120	toothed lock washer A4,3						
26	4	1004.0660	hex socket head cap screw M 4x10						
28	1	3014.0312	thermostat quenching system	P1					
29	2	3014.0304	washer						
30	1	3014.0305	stuffing box nipple						

Bottom (Top elevation)

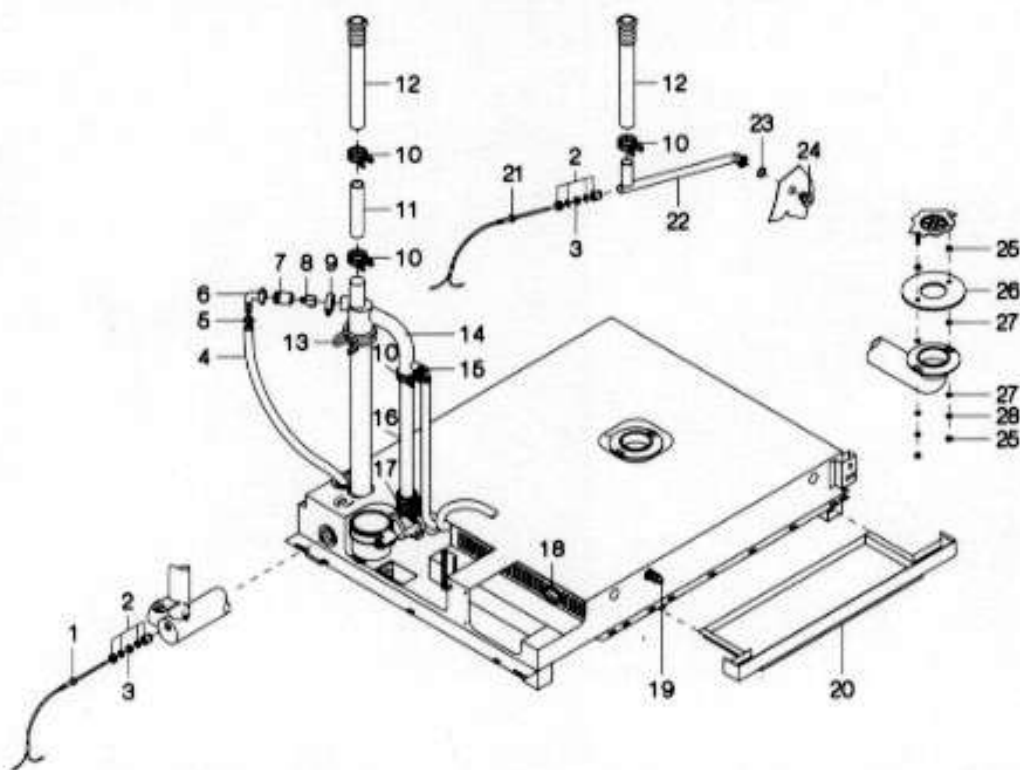
Voltage	Group	Page	Edition	Application from Serial. No.
3 N AC 380V 50Hz	9	9.1	9.1.4	11M91042001



Pos.	Pcs.	Sp.	Part No.	Description	Sign.
-	1		8612.0111	quenching nozzle cpl. (pos.7,8)	
1	1		3014.0156	sensor quenching	E2
2	2		4007.0600	cable connection PG9	
3	2		2022.0100	gasket	
4	1		2067.0153	pressure hose 950mm long	
5	4		2066.0205	hose clamp 12-18mm	
6	1		2062.0208	threaded pipe angle G1/2"	
7	1		2016.0883	screwing for quenching nozzle	
8	1		2016.0915	quenching nozzle	
9	1		2066.0506	hose clamp 20-32mm	
10	3		2066.0518	hose clamp 30mm	
11	1		2610.420320	PP-pipe 145mm long	
12	2		4016.0101	air inlet grommet	
13	1		2066.0520	hose clamp 46mm	
14	1		2022.0201	drain elbow	
15	1		2062.0301	plastic elbow fitting	
16	1		2644.250288	PP-pipe 300mm long	
17	1		2022.0202	hose connection pipe 40mm long	
18	4		1004.0660	hex socket head screw M4x10	
19	4		1204.0120	toothhead lock washer A4,3	
20	3		4016.0450	grommet	
21	1		3016.1403	door switch	S2
22	1		8100.0115	drip collector	
23	1		3014.0156	sensor bypass	E3
24	1		2071.0100	bypass pipe	
25	1		1315.0104	copper washer	
26	1		2016.0920	bypass nozzle	
27	6		1106.0160	hex nut M6	
28	1		5012.0555	gasket	
29	4		1306.0221	washer A6,4	
30	2		1206.0120	toothhead lock washer A6,4	

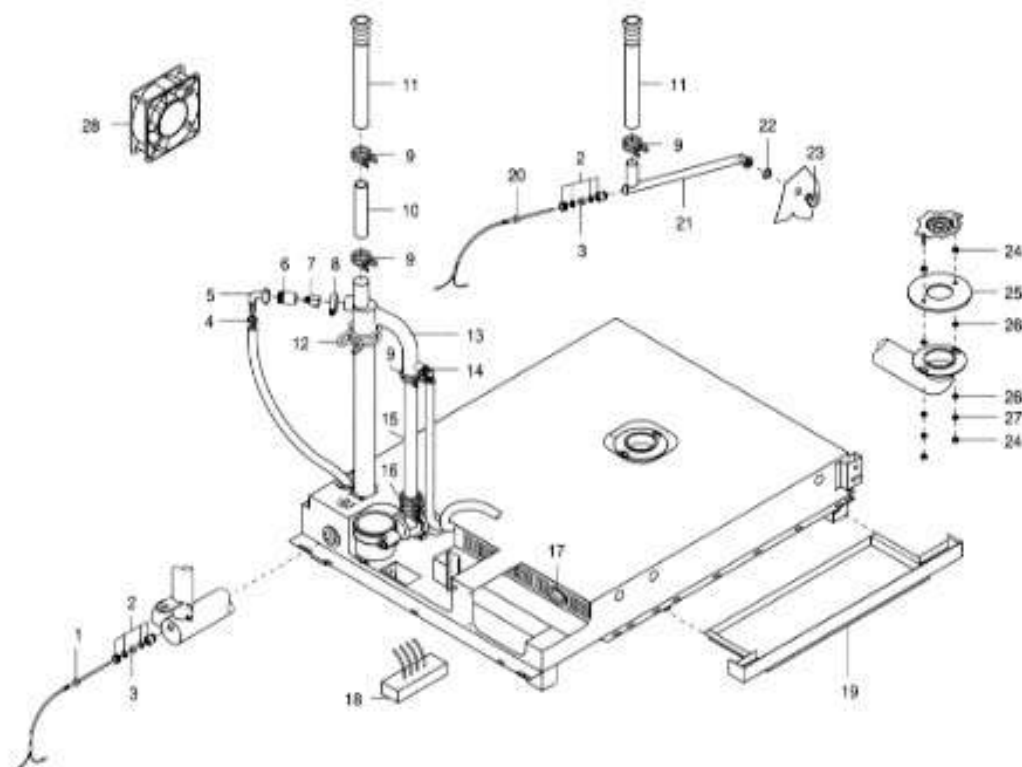
Bottom (Top elevation)

Voltage	Group	Page	Edition	Application from Serial. No.
3 N AC 380V 50Hz	9	9.1	9.1.5	11M92051614

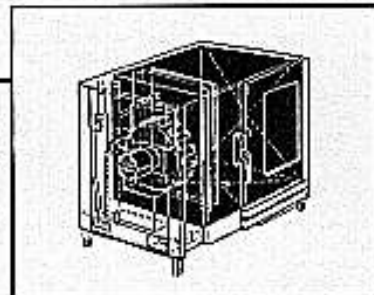


Pos.Pcs.	Sp. Part No.	Description	Sign.	
-	1	8612.0111	quenching nozzle cpl. (pos.7,8)	
1	1	3014.0156	sensor quenching	E2
2	2	4007.0600	sensor bypass	
3	2	2022.0100	bypass pipe	
4	1	2067.0153	gasket	
5	4	2066.0205	pressure hose 950mm long	
6	1	2062.0208	hose clamp 12-18mm	
7	1	2016.0883	threaded pipe angle G1/2"	
8	1	2016.0915	screwing for quenching nozzle	
9	1	2066.0506	quenching nozzle	
10	3	2066.0518	hose clamp 20-32mm	
11	1	2610.420320	hose clamp 30mm	
12	2	4016.0101	PP-pipe 145mm long	
13	1	2066.0520	air inlet grommet	
14	1	2022.0201	hose clamp 46mm	
15	1	2062.0301	drain elbow	
16	1	2644.250288	plastic elbow fitting	
17	1	2022.0202	PP-pipe 300mm long	
18	3	4016.0450	hose connection pipe 40mm long	
19	1	3016.1403	grommet	S2
20	1	8100.0115	door switch	
21	1	3014.0156	drip collector	E3
22	1	2071.0100	sensor bypass	
23	1	1315.0104	bypass pipe	
24	1	2016.0920	bypass nozzle	
25	6	1106.0160	copper washer	
26	1	5012.0555	bypass nozzle	
27	4	1306.0221	hex nut M6	
28	2	1206.0120	gasket	
			washer A6,4	
			toothhead lock washer A6,4	

Bodengruppe (Oberseite)	Spannung	Baugruppe	Ausgabe	gültig ab Seriennummer
Bottom (Top elevation)	Voltage	Group	Edition	Applicable from Serial.No.
	3 N AC 400V 50Hz	9	9.1.6	11M96011001

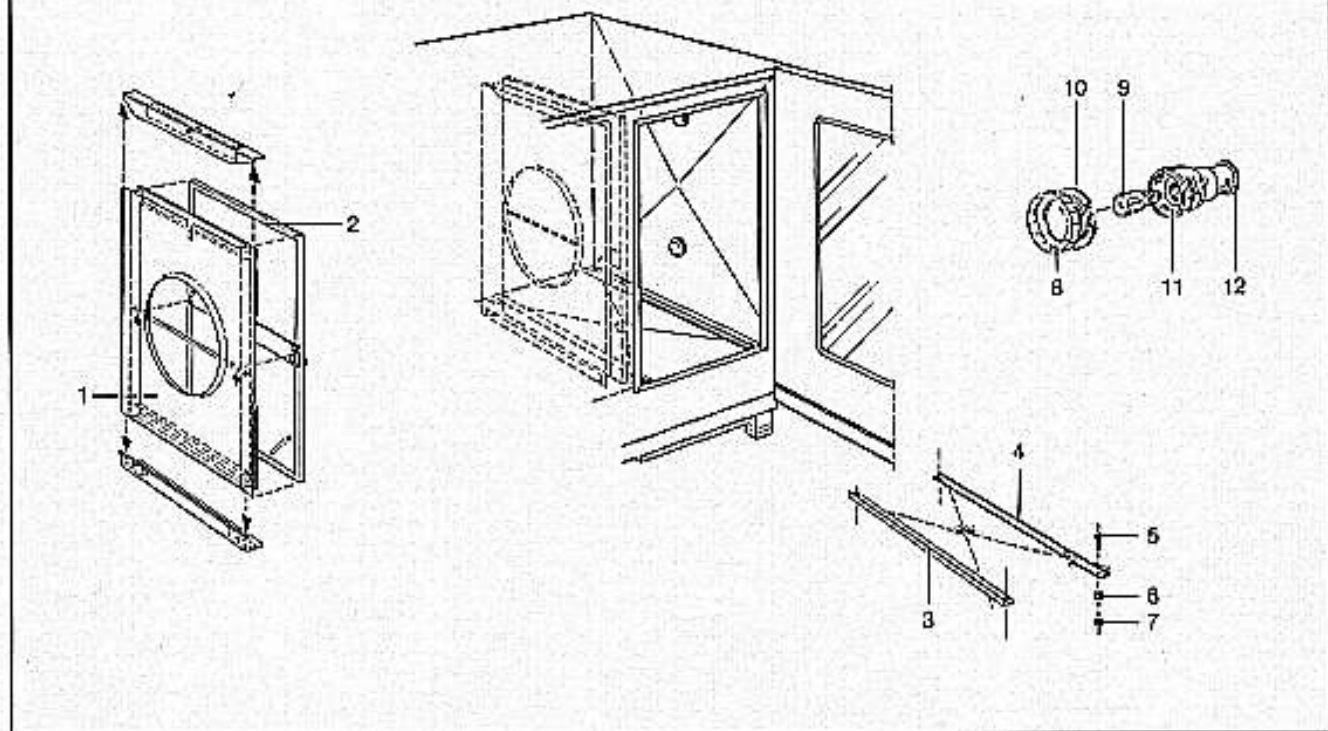


Pos.	St.	Ersatzl.Nr.	Bezeichnung	Description
Pos.	Pcs.	Sp. Part No.		
-	-	2067.0050	Druckschlauch NW 10 11m.	Pressure hose NW10 per meter
-	1	8612.0111	Ablöschdüse oben kpl. (Pos. 7,8)	Quench nozzle top (pos. 7,8)
1	1	3014.0156	Fühler Ablöschung/Bypass	Sensor bypass/quenching
2	2	4007.0600	Kabelverschraubung PG 9 Metall	Cable connection PG9
3	2	2022.0100	Silikondurchführung rot 15x4mm	Silicone gasket red
4	4	2066.0205	Schlauchschele 12-18 mm	Hose clamp 12-18 mm
5	1	2062.0208	Winkelverschraubung G1/2"x10	Elbow Nipple 1/2"x10mm
-	1	5012.0539	Dichtung Winkelverschraubung G1/2"	Gasket for G1/2" threaded joint
6	1	2016.0883	Verschraubung Ablöschdüse	Threaded connection for quenching nozzle
7	1	2016.0915	Ablöschdüse oben	Quenching nozzle top
8	1	2066.0506	Schlauchschele 20-32mm	Hose clamp 20-32mm
9	6	2066.0518	Schlauchklemme 30mm	Hose clamp 30mm
10	1	2610.420320	PP-Rohr 145mm lang	PP-pipe 145mm long
11	2	4016.0101	Entlüftungstülle 250mm	Vent grommet 250mm
12	1	2066.0520	Schlauchklemme d 47 mm	Hose clamp 47 mm
13	1	2022.0201	Abflußkrümmer ab 04/91	Drain elbow from 04/91
14	1	2062.0301	Winkelschlauchfitting WS 10	Angle fitting plastic WS 10
15	1	2644.250288	PP-Rohr 300mm lang	PP-pipe 300 mm
16	1	2022.0202	Schlauchstutzen 40mm SC-Pumpe	Hose connection piece 40 mm SC-pump
17	3	4016.0450	Formtülle	Vent grommet
18	1	3001.0452	Entstörfilter	Electronic noise filter
19	1	8100.0115	Fettauffangwanne	Drip collector
20	1	3014.0156	Fühler Ablöschung/Bypass	Sensor bypass/quenching
21	1	2071.0100	Bypassrohr	Bypass pipe
22	1	1315.0104	Kupferdichtung 16x20x1,5	Copper washer 16x20x1,5
23	1	2016.0920	Bypassdüse ab 04/91	Bypass nozzle from 4/91
24	6	1106.0160	Sechskantmutter M6	Hex nut M6
25	1	5012.0555	Dichtung Bodenablauf	gasket for drain
26	4	1306.0221	Unterlegscheibe A6,4 DIN9021	Washer A6,4 DIN125
27	2	1206.0120	Zahnscheibe A6,4	Toothed lock washer A6,4
28	1	3101.1008	Kühlflüter	Cooling motor



Interior Cabinet

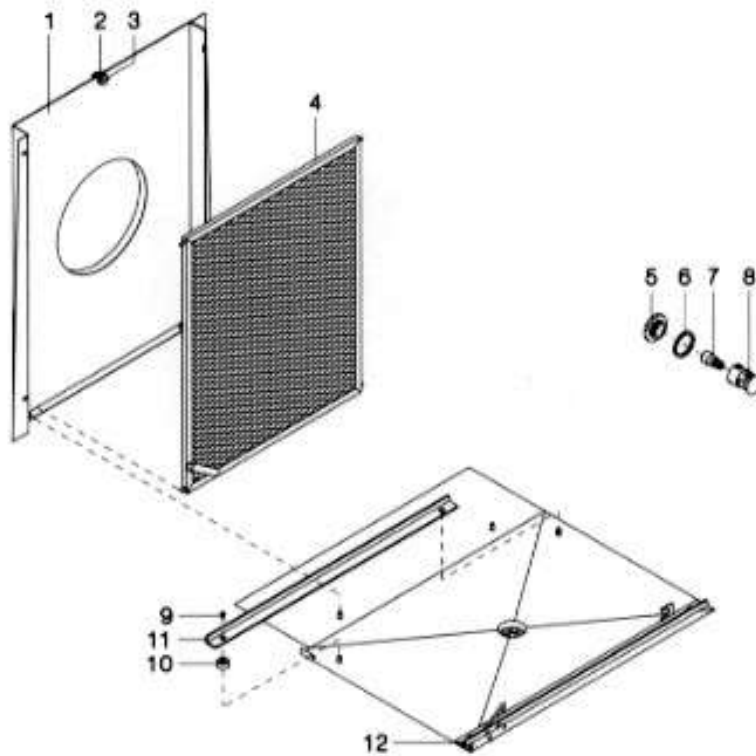
Component Group	Page	Edition	applicable from Serial No.
7	7.1	7.1.2	11M 87 02 1036



Pos.	Pcs.	Sp.	Part No.	Description	Sign
-	2		3023.0501	interior lamp complete	
1	1		8011.1003	air baffle	
2	1		2010.0701	fat filter	
3	1		8400.0150	rail left	from 11M88121990: 8400.0160
4	1		8400.0151	rail right	from 11M88121990: 8400.0162
5	4		1005.0462	countersunk screw with slot M 5x8	
6	4		2031.1000	spacer	
7	4		1410.0100	female plug	
8	2		3025.0002	lamp lens	
9	2		3024.0200	bulb, heat-resistant	
10	1		5012.0535	gasket	
11	2		3023.0502	socket for interior lamp	H1,H2
12	2		2580.980589	insulation paper	

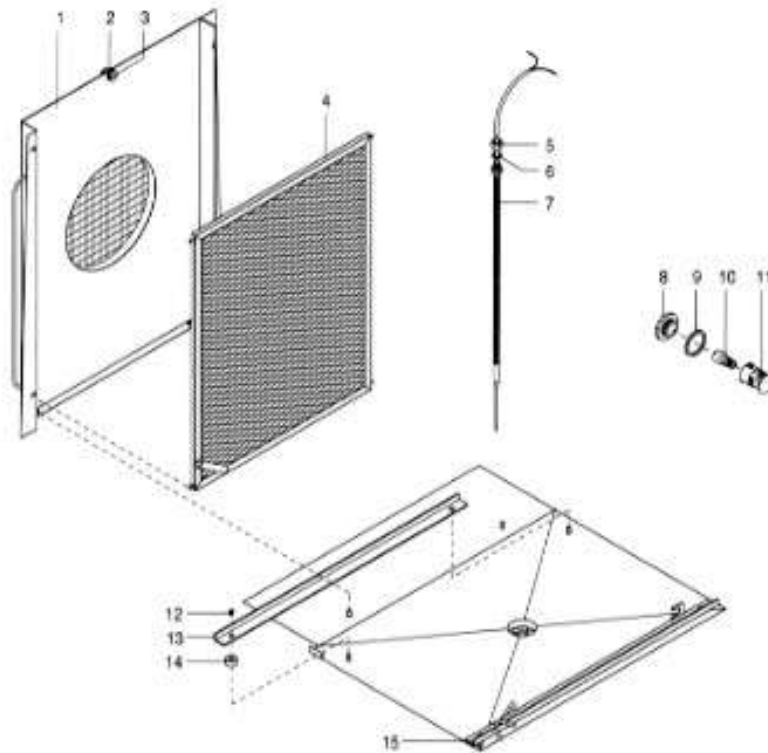
Interior Cabinet

Voltage	Group	Page	Edition	Application from Serial. No.
3 N AC 380V 50Hz	7	7.1	7.1.3	11M91042001

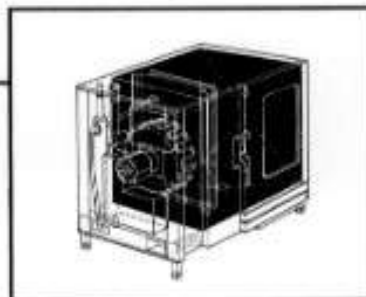


Pos.	Pcs.	Sp. Part No.	Description	Sign.
-	2	3023.0501	interior lamp cpl.	
1	1	8011.1111	air baffle cpl.	
2	1	2043.0203	holder plate for quick acting closure	
3	1	2043.0201	locking pin	
4	1	2010.0906	fat filter	
5	2	3025.0002	lamp lens	
6	2	5012.0535	gasket	
7	2	3024.0200	bulb, heat resistant	
8	2	3023.0506	socket for interior lamp	H1, H2
9	4	1005.0467	countersunk screw with slot M5x8	
10	4	2031.1000	spacer	
11	1	8400.0160	rail left	
12	1	8400.0162	rail right	

Garraum Interior cabinet	Spannung Voltage	Baugruppe Group	Ausgabe Edition	gültig ab Seriennummer Applicable from Serial.No.
	3 N AC 400V 50Hz	7	7.1.4	11M96011001

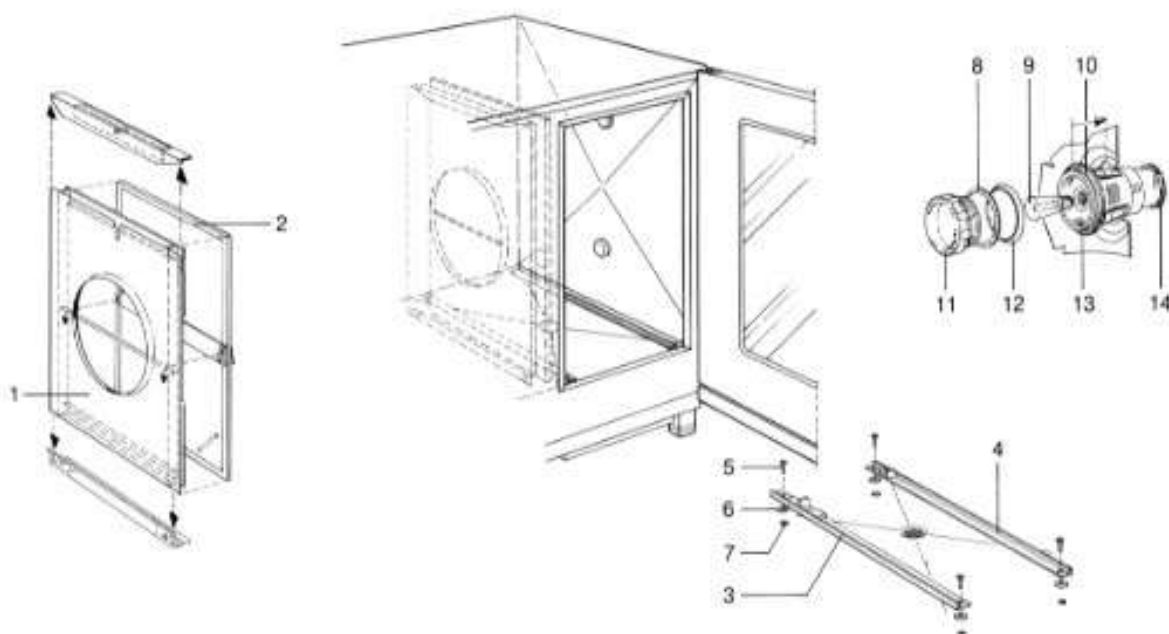


Pos.	St.	Ersatz.Nr.	Bezeichnung	Description
Pos.	Pcs.	Sp. Part No.		
-	1	3023.0501	Garraumbeleuchtung kpl.	Interior lamp cpl.
1	1	8011.1104	Trichterblech kpl.	Air baffle cpl.
2	1	2043.0203	Haltescheibe Luftleitblech	Holder plate air baffle
3	1	2043.0201	Verschlußbolzen Luftleitblech	Locking pin air baffle
4	1	2010.0906	Fettfilter Typ 101	Fat filter type 101
5	1	1112.0160	Sechskantmutter M12	Hex nut M12
6	1	3035.0606	Kupferdichtung für Einstechfühler	Copper gasket for meat probe sensor
7	1	3035.0607	Einstechfühler Typ 101	Meat probe sensor type 101
8	2	3025.0002	Lampenglas Garraumbeleuchtung	Lamp lens
9	2	5012.0535	Dichtring Garraumbeleuchtung	Gasket lamp lens
10	2	3024.0200	Glühlampe hitzebeständig 200-240V	Bulb-heat resistant 200-240V
11	2	3023.0506	Lampenfassung Garraumbeleuchtung	Socket for interior lamp
12	4	1005.0467	Senkschraube mit Schlitz M5x8	Slotted countersunk screw M5x8
13	1	8400.0160	Führungsschiene links	Rail left
14	4	2031.1000	Distanzscheibe für HGW-Führungsschiene	Spacer for mobile oven rack guide rail
15	1	8400.0162	Führungsschiene rechts	Rail right

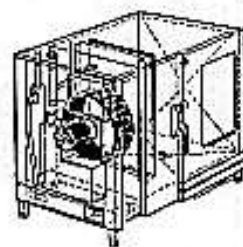


Interior Cabinet

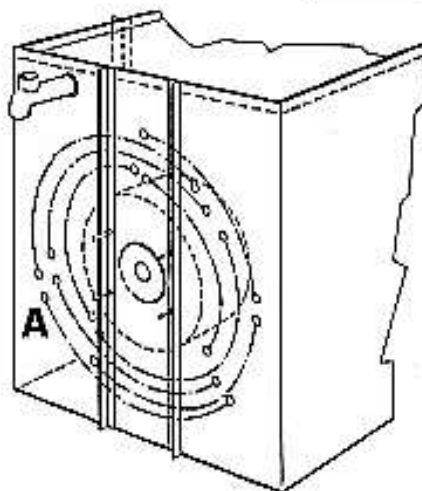
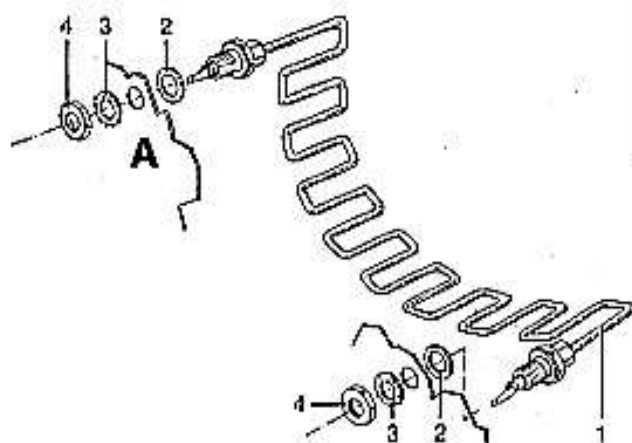
Component Group	Page	Edition	applicable from Serial No.
7	7.1	7.1.1	11M 86 03 1003



Pos.	Pcs.	Sp.	Part No.	Description	Sign
-	2		3023.0501	interior lamp complete	
1	1		8011.1003	air baffle	
2	1		2010.0701	fat filter	
3	1		8400.0150	rail left	
4	1		8400.0151	rail right	
5	4		1005.0462	countersunk screw with slot M 5 x 25	
6	4		2031.1000	spacer	
7	4		1105.0400	rivet nut M5	
8	1		5012.0509	gasket lamp lens	
9	2		3024.0200	bulb, heat-resistant	
10	1		5012.0508	gasket for lamp socket	
11	2		3025.0002	lamp lens	
12	2		3025.0003	metal ring	
13	2		3023.0502	socket for interior lamp	H1, H2
14	2		5012.0514	insulation paper	

**Hot Air Heating**

Component Group	Page	Edition	applicable from Serial No.
5	5.1	5.1.1	11M 86 03 1003

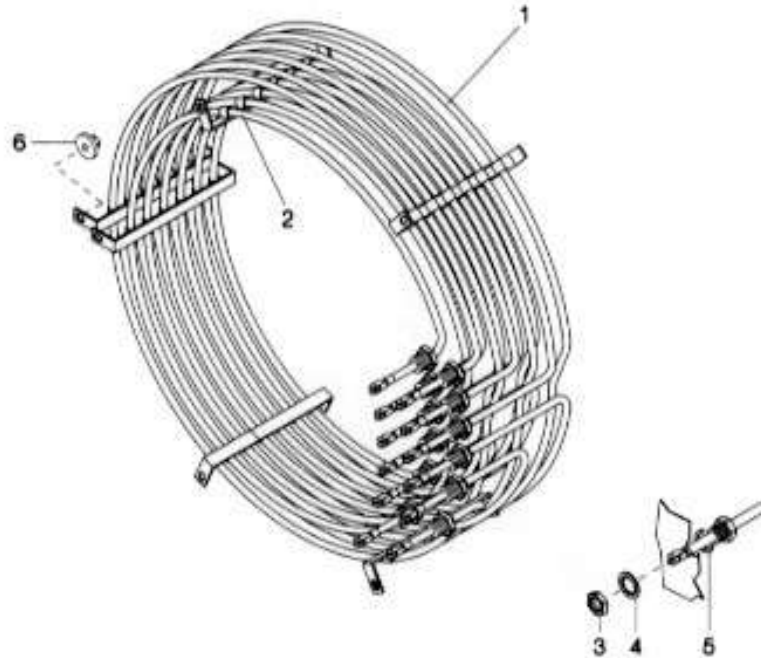


Pos.	Pcs.	Sp. Part No.	Description	Sign
1	9	3004.1403	heating element 2 kW	
2	18	3004.1404	copper washer	
3	18	3004.1405	toothed lock washer	
4	18	3004.1406	hex nut M14	

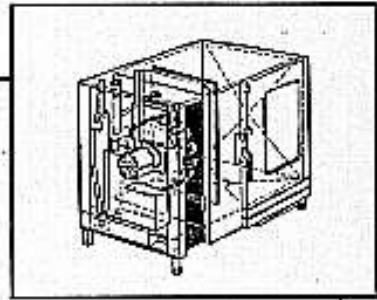
Note: heating elements are delivered with positions 2, 3 and 4.

Hot Air Heating

Voltage	Group	Page	Edition	Application from Serial. No.
3 N AC 380V 50Hz	5	5.1	5.1.2	11M91042001

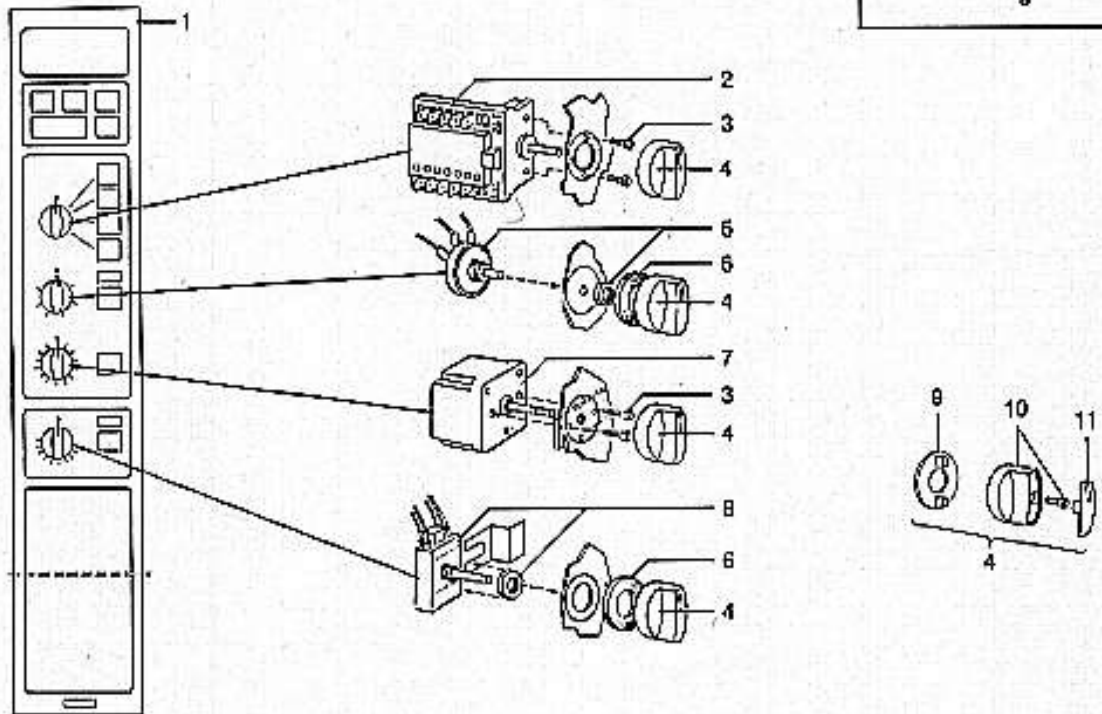


Pos.	Pcs.	Sp. Part No.	Description	Sign.
-	1	3004.3520	heating assembly cpl.	
1	1	3004.3530	heating assembly big	
2	1	3004.3531	heating assembly smal	
3	12	3004.1406	hex nut M14	
4	12	3004.1405	toothhead lock washer	
5	12	3004.1404	copper washer	
6	6	1106.0801	hex-combi-nut M6	

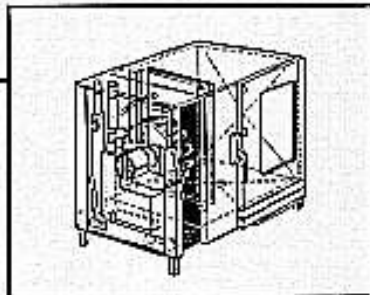


Control Panel

Component Group	Page	Edition	applicable from Serial No.
1	1.1	1.1.1	11M 86 03 1003

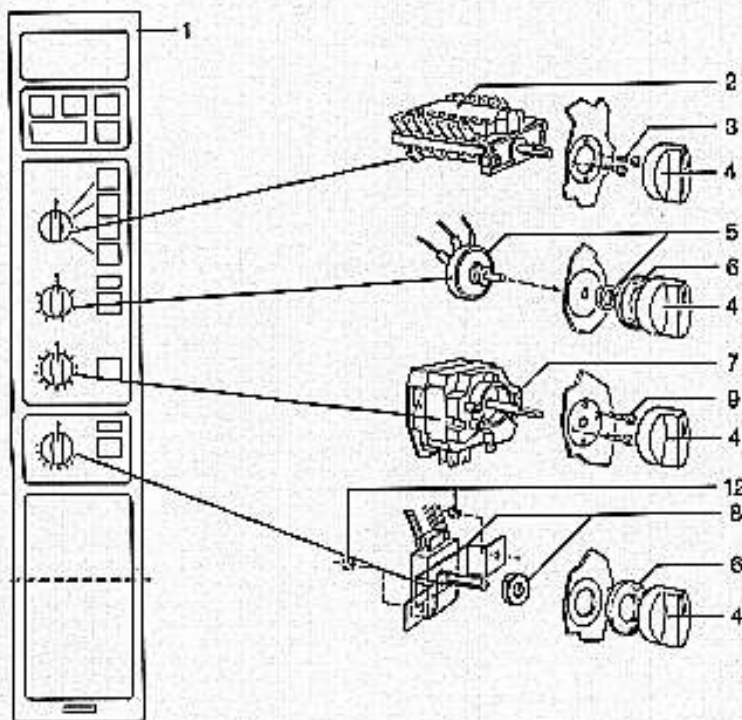


Pos.	Pcs.	Sp.	Part No.	Description	Sign
1	1		2049.0561	control panel	
2	1		3018.1800	made switch block	S1
3	4		1004.0061	slotted pan head screw M 4 x 8	
4	4		3013.0325	dial complete	
5	1		3040.0150	potentiometer	R1
6	2		5012.0530	hot air/combi/vario gasket	
7	1		3013.0109	timer 120 min	S2
8	1		3040.0151	potentiometer core temperature (incl. on/off)	S4,R2
9	4		3013.0321	nut-cover	
10	4		3013.0320	knob	
11	4		3013.0322	knob-cover	

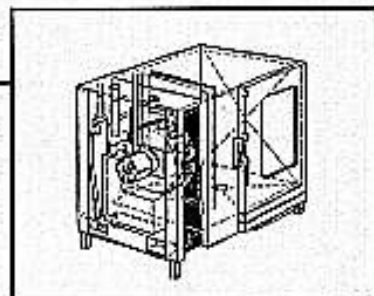


Control Panel

Component Group	Page	Edition	applicable from Serial No.
1	1.1	1.1.2	11M87111379

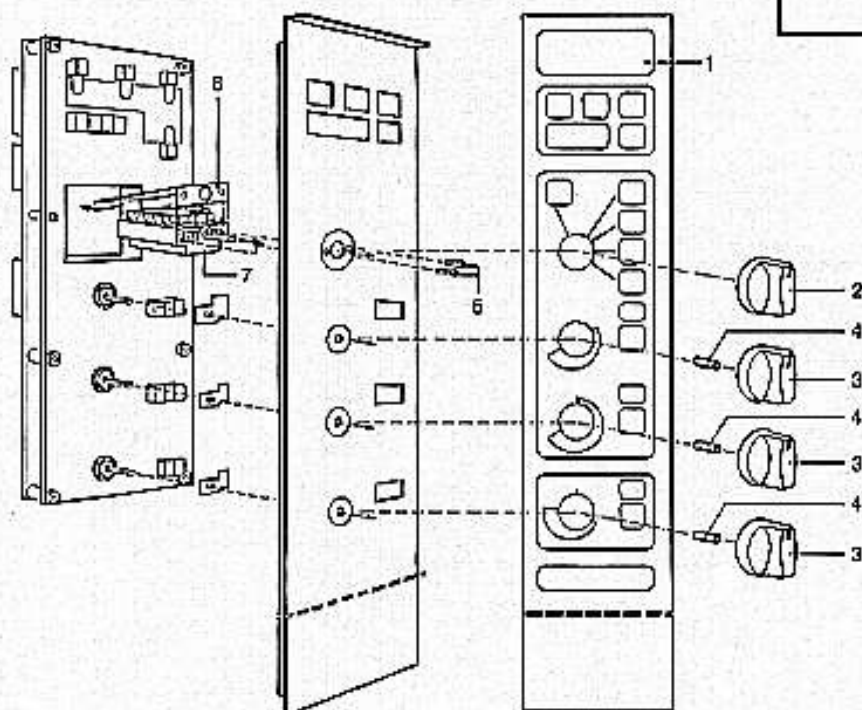


Pos.	Pcs.	Sp.	Part No.	Description	Sign
1	1		2049.0611	control panel	
2	1		3016.1600	mode switch block	S1
3	2		1004.0061	slotted pan head screw M 4x8	
4	4		3013.0329	dial complete	
5	1		3040.0150	potentiometer hot air/combi/vario	R1
6	2		6012.0530	gasket	
7	1		3013.0101	timer 120 min	S2
8	1		3040.0151	potentiometer core temperature (incl. on/off)	S4,R2
9	4		1003.0224	cylinder sheet screw	
10	4		3013.0326	dial	
11	4		3013.0328	dial-cover	
12	2		1106.0601	hex combi nut	



Control Panel

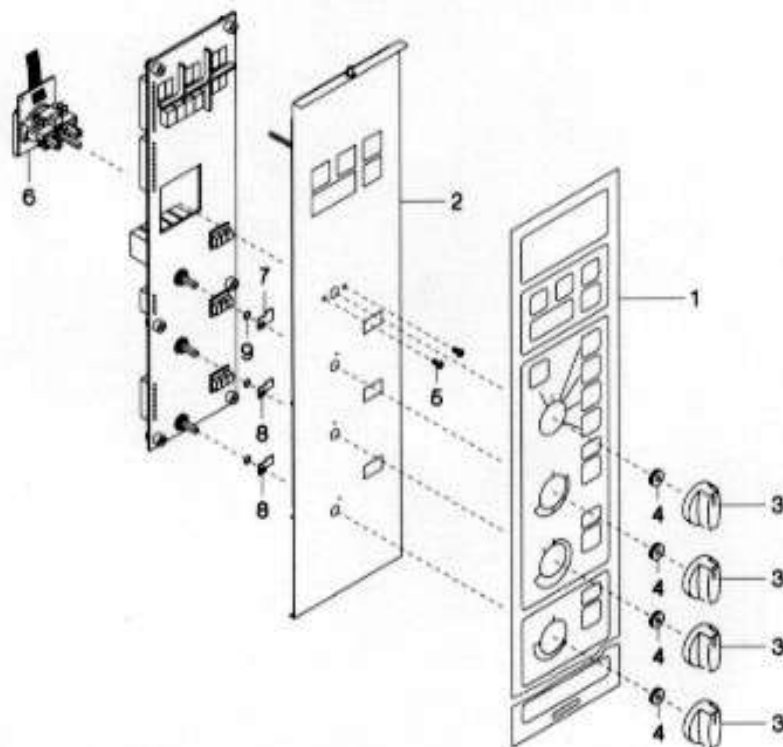
Component Group	Page	Edition	applicable from Serial No.
1	1.1	1.1.3	11M 89 04 1210



Pos.	Pcs.	Sp.	Part No.	Description	Sign
1	1		2049.0713	control panel	
2	1		3013.0330	dial for mode switch block	
3	3		3013.0331	dial for pot	
4	3		2022.0104	bushing	
5	2		1004.0061	slotted pan head screw M 4x8	
6	1		2510.390772	insulation paper	
7	1		3016.1630	mode switch block	

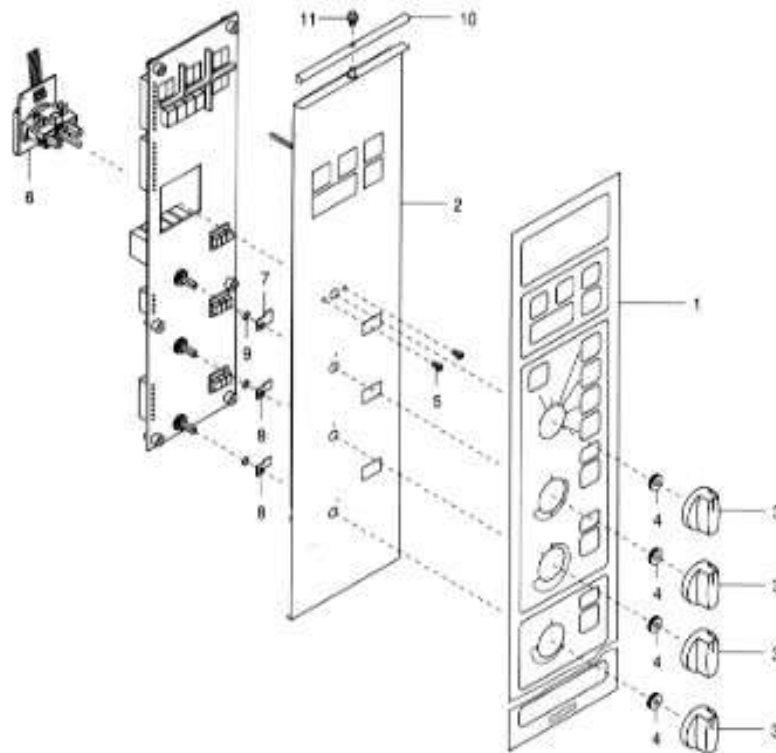
Control Panel

Voltage	Group	Page	Edition	Application from Serial. No.
3 N AC 380V 50Hz	1	1.1	1.1.4	11M91042001

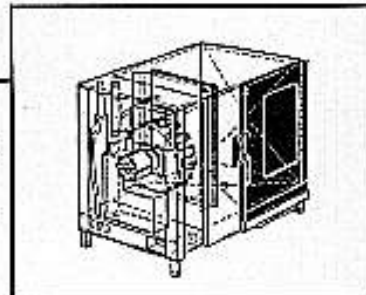


Pos.	Pcs.	Sp. Part No.	Description	Sign.
1	1	2049.0821	control panel	
2	1	8600.01010489	front panel	
3	4	3013.0330	dial	
4	3	2022.0104	grommet	
5	2	1004.0061	slotted pan head screw M4x8	
6	1	3016.1631	mode switch block	S1
7	1	2510.530746	stop for poti hot air	
8	2	2510.520731	stop for poti core temp./timer	
9	3	1315.0101	copper washer	

Bedienblende Control Panel	Spannung Voltage	Baugruppe Group	Ausgabe Edition	gültig ab Seriennummer Applicable from Serial.No.
	3 N AC 400V 50Hz	1	1.1.5	11M96011001

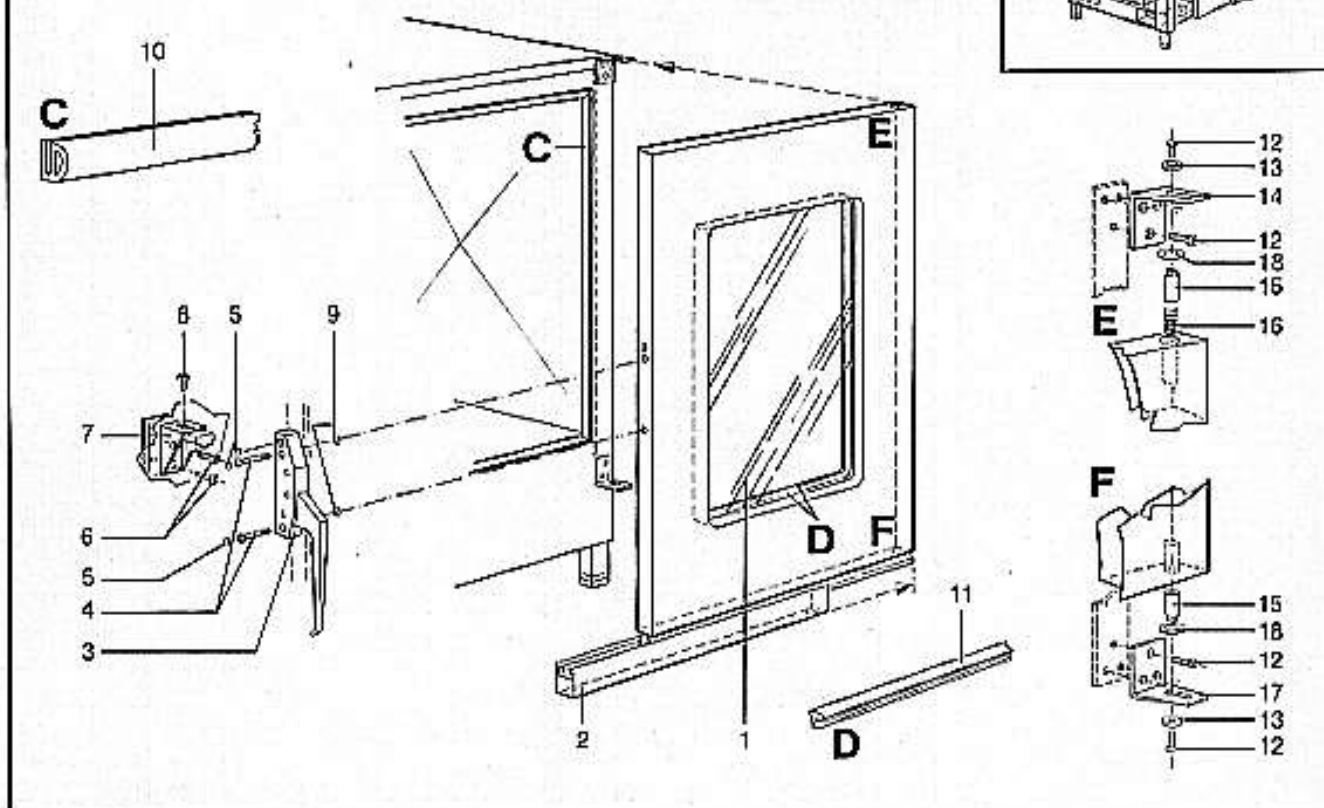


Pos.	St.	Ersatz.Nr.	Bezeichnung	Description
Pos.	Pcs.	Sp. Part No.		
1	1	2049.0821	Blende	Control panel
2	1	8600.01010489	Frontplatte geschweißt	Front panel welded
3	4	3013.0330	Knebel blau Typ CM ab 04/89	Dial blue type CM
4	4	2022.0104	Durchführungsstüle 16 mm	Grommet 16mm
5	2	1004.0061	Zylinderschraube mit Schlitz M4x8	Slotted pan head srew M4x8
6	1	3016.1631	Betriebsartenschalter CM	Mode switch block CM
7	1	2510.530746	Arretierung für Poti Heißluft	Stop for potentiometer hot air
8	2	2510.520731	Arretierung für Poti KT und Uhr	Stop for potentiometer CT and timer
9	3	1315.0101	Kupferdichtung 6x10	Copper washer 6x10 mm
10	1	5012.0556	Dichtung für Bedienblende	Front panel gasket
11	1	1005.2000	Sperrzahnschraube M5x8	Interlocking tooth screw M5x8

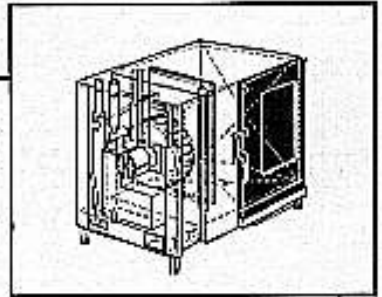


Door

Component Group	Page	Edition	applicable from Serial No.
8	8.1	8.1.1	11M 86 03 1003

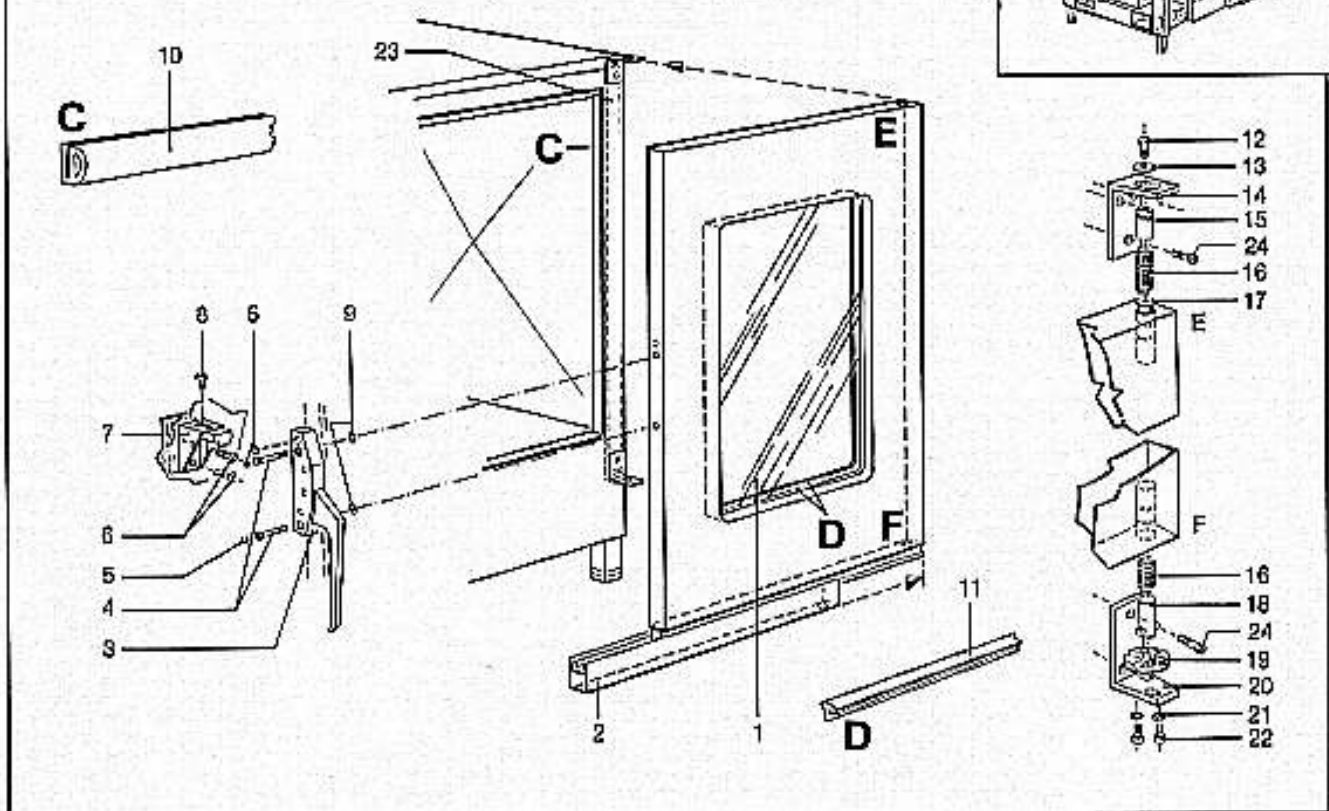


Pos.	Pcs.	Sp. Part No.	Description	Sign
-	1	8202.2001	door complete	
1	1	5015.0900	door window	
2	1	2530.070008	door drip collector	
3	1	2016.1100	door lock	
4	2	1005.1962	socket countersunk head cap screw M 5x30	
5	3	2016.1102	end-cap door lock	
6	2	1005.2100	safety screw M 5x16	
7	1	2016.0610	door catch	
8	1	1006.2000	safety screw M 5x8	
9	2	1305.0260	washer A 5,3	
10	1	5012.0704	door gasket	
11	1	5012.0200	window gasket	
12	8	1005.1960	socket countersunk head cap screw M 5x16	
13	2	2031.0700	rosette	
14	1	8440.1001	holder on top	
15	2	2016.0801	door bolt	
16	1	2001.0103	compression spring	
17	1	8440.1000	holder below	
18	2	1310.0160	washer A 10,5	



Door

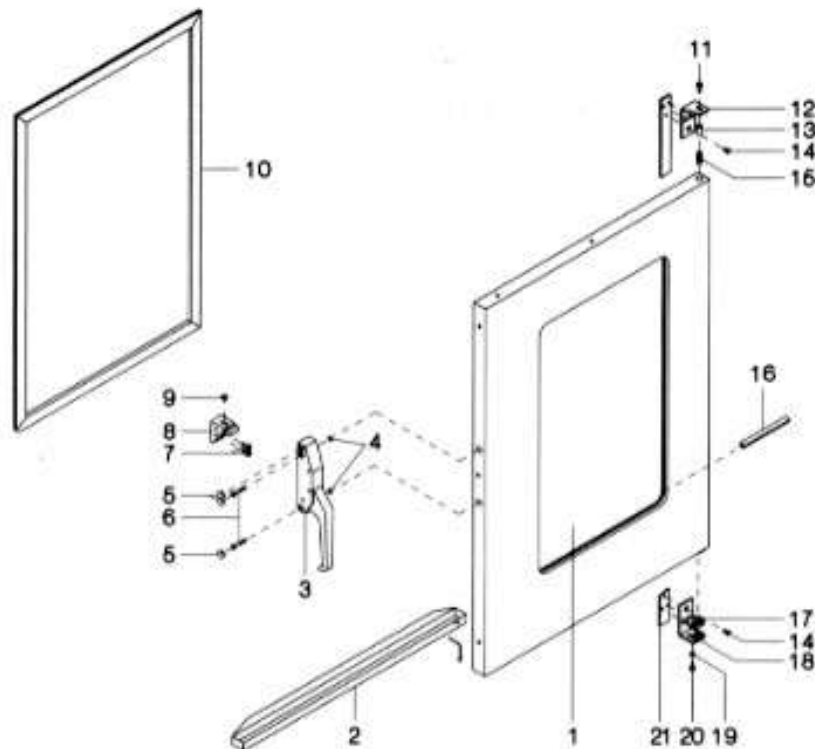
Component Group	Page	Edition	applicable from Serial No.
8	8.1	8.1.2	11M 89 04 1210



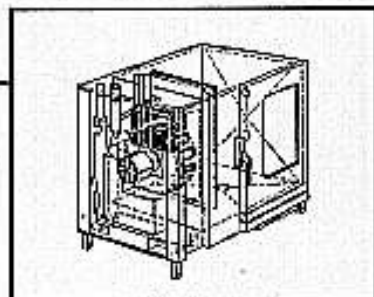
Pos.	Pcs.	Sp.	Part No.	Description	Sign
-	1		8202.20010489	door complete	
1	1		5015.0900	door window	
2	1		8100.0118	door drip collector	
3	1		2018.1100	door lock	
4	2		1005.1962	socket countersunk head cap screw M 5x30	
5	3		2018.1102	end-cap door lock	
6	2		1005.2100	safety screw M 5x16	
7	1		2018.0810	door catch	
8	1		1005.2000	safety screw M 5x8	
9	2		1305.0260	washer A5,3	
10	1		5012.0704	door gasket	
11	1		5012.0202	set window gasket	
12	1		1008.0750	hex screw M 5x16	
13	1		1305.0260	washer	
14	1		8440.1000	door holding bracket, top	
15	2		2018.0801	door bolt	
16	1		2001.0105	compression spring	
17	1		1310.0180	spacing washer	
18	1		2018.0835	locking knob	
19	1		2018.0884	locking plate	
20	1		8440.1006	door holding bracket bottom	
21	1		1205.0360	spring washer	
22	2		1005.0663	hexagon socket screw	
23	1		8440.1108	door holding bracket CD/CM 101	
24	6		1005.1960	socket countersunk head cap screw M 5x16	

Door

Voltage	Group	Page	Edition	Application from Serial. No.
3 N AC 380V 50Hz	8	8.1	8.1.3	11M91042001

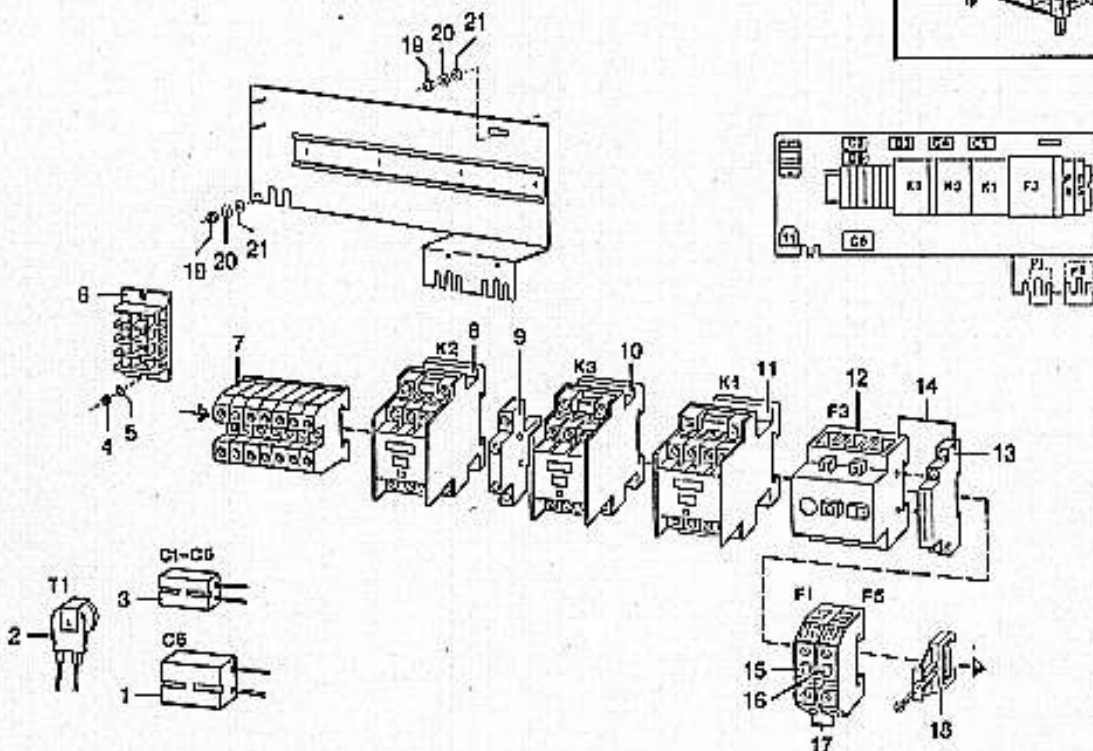


Pos.	Pcs.	Sp.	Part No.	Description	Sign.
-	1		8202.3001	door cpl.	
1	1		5015.0900	door window	
2	1		2530.031166	door drip collector	
3	1		2016.1100	door lock	
4	2		1305.0260	washer A5,3	
5	3		2016.1102	end-cap door lock	
6	2		1005.1964	socket countersunk head	
7	3		1005.2100	cap screw M5x30	
8	1		2016.0610	safety screw M5x16	
9	2		1005.2000	door catch	
10	1		5012.0704	safety screw M5x8	
11	1		5012.0704	door gasket	
12	1		1008.0752	hex screw M5x10	
13	1		8440.1000	door holder on top	
14	6		2016.0801	door bolt	
15	1		1005.1960	hex socket countersunk	
16	1		2001.0108	head cap screw M5x16	
17	1		5012.0202	compression spring	
18	1		2016.0884	set gasket for	
19	2		2630.210311	door window	
20	1		1205.0362	door locking plate	
21	1		1008.0752	door holder down	
			2630.200310	spring washer A5,3	
				door holding bracket top	

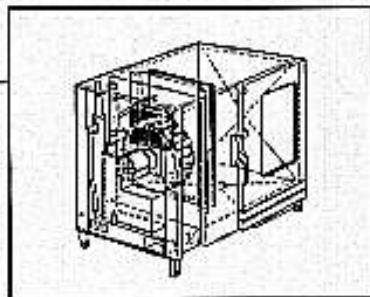


Electrical Installation

Component Group	Page	Edition	applicable from Serial No.
2	2.1	2.1.1	11M 86 03 1003

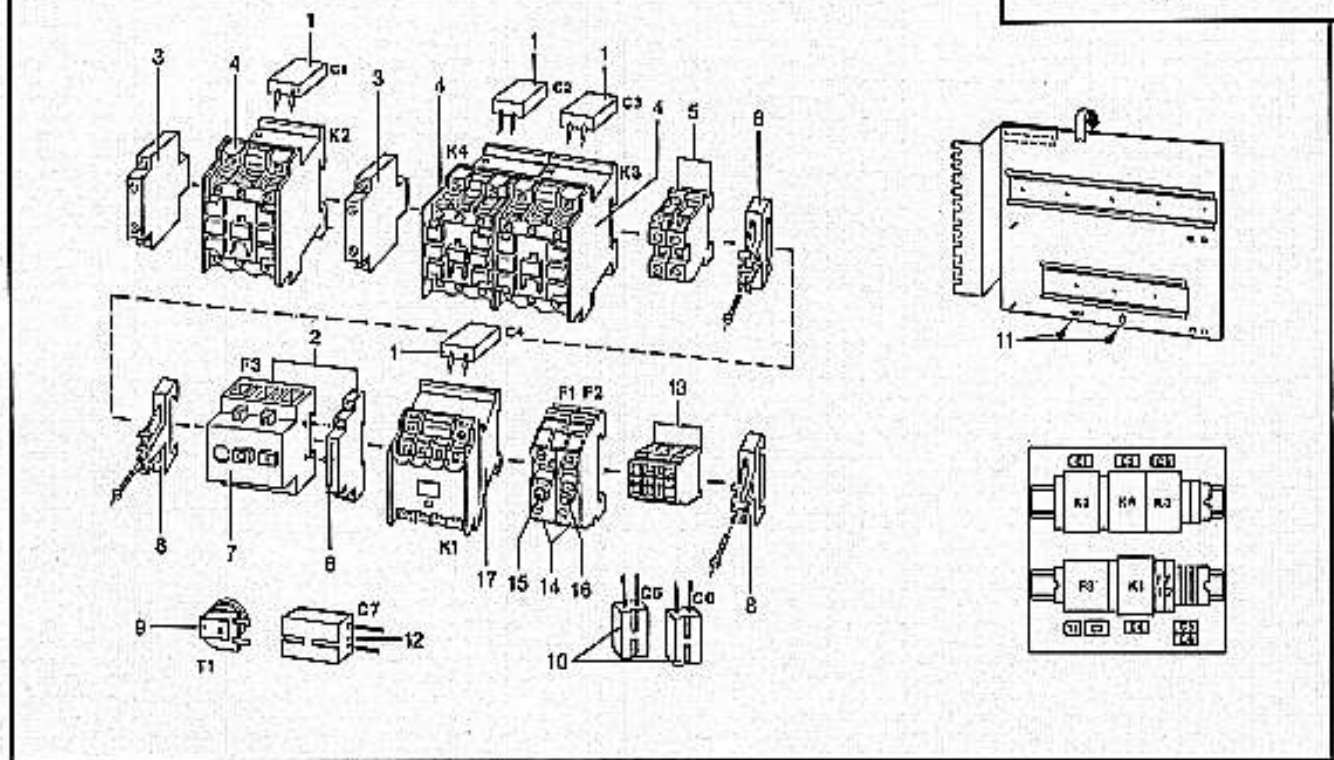


Pos.	Pcs.	Sp. Part No.	Description	Sign
1	1	3035.0609	RC-link	C6
2	1	3006.0101	buzzer	T1
3	5	3035.0608	RC-link	C1-C5
4	2	1103.0120	hex nut M3	
5	2	1304.0150	washer A 3,2	
6	1	4001.1170	multi connector	
7	7	4001.1209	terminal block gray 18 mm ²	
8	1	3028.0101	contactor for hot air heating	K2
9	1	3028.0150	auxiliary contact for contactor K2	
10	1	3028.0101	contactor for steam generator heating	K3
11	1	3028.0100	motor contactor	K1
12	1	3031.0108	motor protector	F3
13	1	3031.0102	auxiliary contact for motor protector F3	
14	1	3031.0101	motor protector with auxiliary contact	
15	1	3019.0120	fuse 2 A	
16	1	3019.0400	fuse 0,5 A	
17	2	4001.1228	fuse holder	F1,F5
18	1	4001.1201	end plate	
19	2	1106.0180	hex nut M 6	
20	2	1206.0120	toothed lock washer A 6,4	
21	2	1306.0221	washer A 6,4	

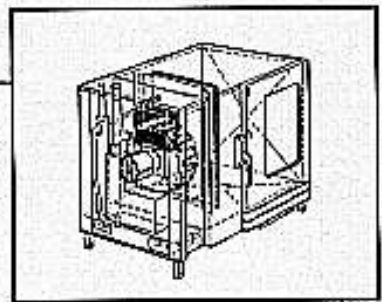


Electrical Installation

Component Group	Page	Edition	applicable from Serial No.
2	2.1	2.1.2	11M 89 04 1210

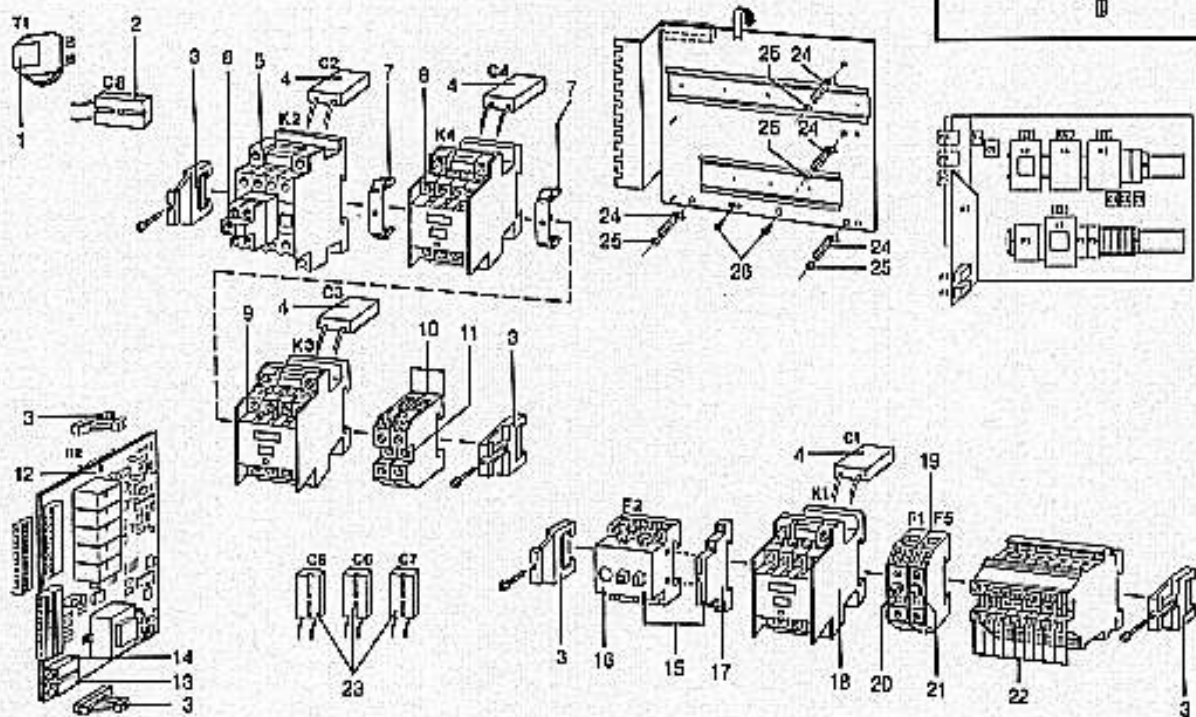


Pos.	Pcs.	Sp.	Part No.	Description	Sign
1	4		3035.0514	RC-link	C1-C4
2	1		3031.0101	motor protector with auxillary contact	F3
3	1		3028.0150	auxillary contact for contactor K2	
4	1		3028.0101	contactor for hot air heating	K2
4	1		3028.0101	contactor for steam generator heating	K4
4	1		3028.0101	contactor for reheating	K3
5	2		4001.1252	terminal block blue 35 mm ²	
6	-		3031.0102	auxillary contact for motor protector F3	
7	-		3031.0106	motor protector	
8	3		4001.1203	end plate	
9	1		3006.0101	buzzer	
10	2		3035.0508	RC-link	C5,C6
11	2		1004.2180	hex head tapping screw B4,2	
12	1		3035.0509	RC-link	C7
13	4		4001.1176	terminal block	
14	2		4001.1228	fuse holder	F1,F5
15	1		3019.0120	fuse 2 A	F1
16	1		3019.0400	fuse 0,5 A	F5
17	1		3028.0100	contactor for motor	K1



Electrical Installation

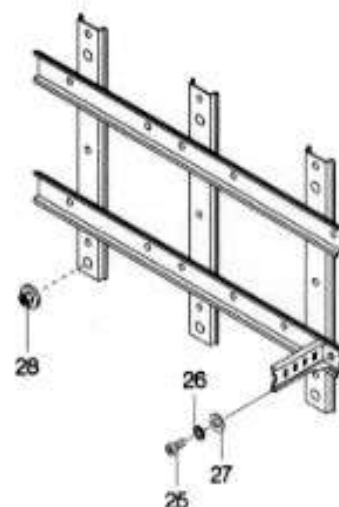
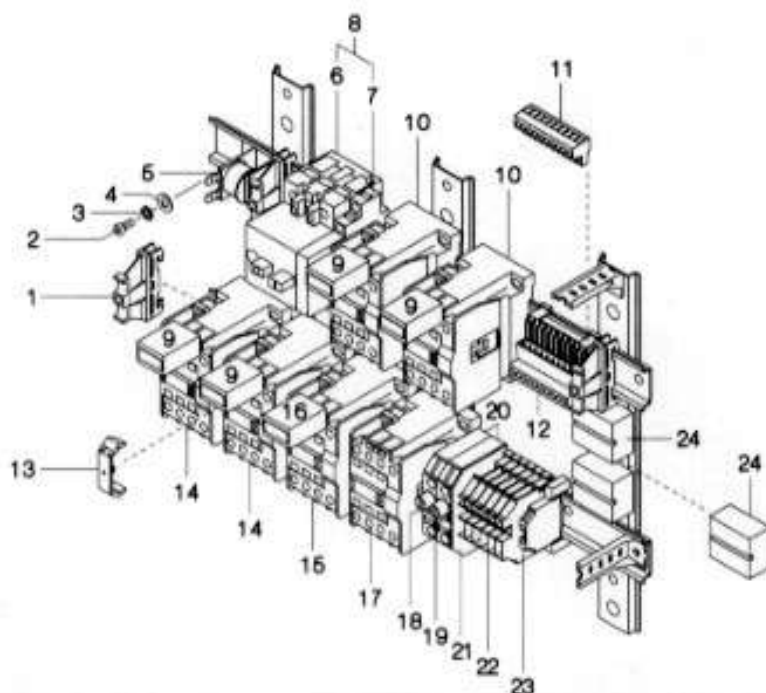
Component Group	Page	Edition	applicable from Serial No.
2	2.1	2.1.3	11M 89 10 4001



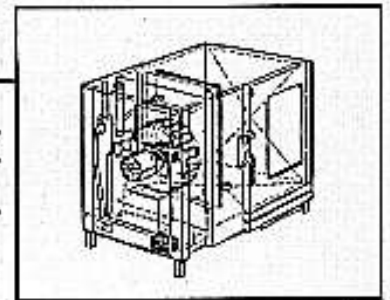
Pos.	Pcs.	Sp.	Part No.	Description	Sign	Pos.	Pcs.	Sp.	Part No.	Description	Sign
1	1		3008.0101	alarm buzzer	T1	25	4		1105.0122	hex-combi-nut M5	
2	1		3035.0509	RC-link for alarm buzzer	C8	26	2		1104.2180	hex head tapping screw B4,2	
3	6		4001.1203	end plate							
4	4		3035.0514	RC-link	C1-C4						
6	1		3028.0101	contactor for hot air heating	K2						
6	1		3028.0151	auxiliary contact for contactor K2							
7	2		4001.1174	distance block							
8	1		3028.0101	contactor for steam generator heating from 11M90011012: 3028.0117	K4						
9	1		3028.0101	contactor for reheating	K3						
10	2		4001.1252	terminal block blue 35 mm ²							
11	1		4001.1220	connecting angle for 35 mm ²							
12	1		3002.0400	level control pcb	A2						
13	1		3019.0130	fuse 0,315 A	F6						
14	1		3019.0110	fuse 0,1 A	F7						
15	1		3031.0101	motor protector with auxiliary contact	F2						
16	-		3031.0105	motor protector							
17	-		3031.0102	auxiliary contact for motor protector F2							
18	1		3028.0103	contactor for motor	K1						
19	2		4001.1228	fuse holder	F1, F5						
20	1		3019.0120	fuse 2 A	F1						
21	1		3019.0400	fuse 0,5 A	F5						
22	9		4001.1176	terminal block							
23	3		3036.0608	RC-link	C5-C7						
24	4		2020.0400	cable holder							

Electrical Installation

Voltage	Group	Page	Edition	Application from Serial. No.
3 N AC 380V 50Hz	2	2.1	2.1.4	11M91042001

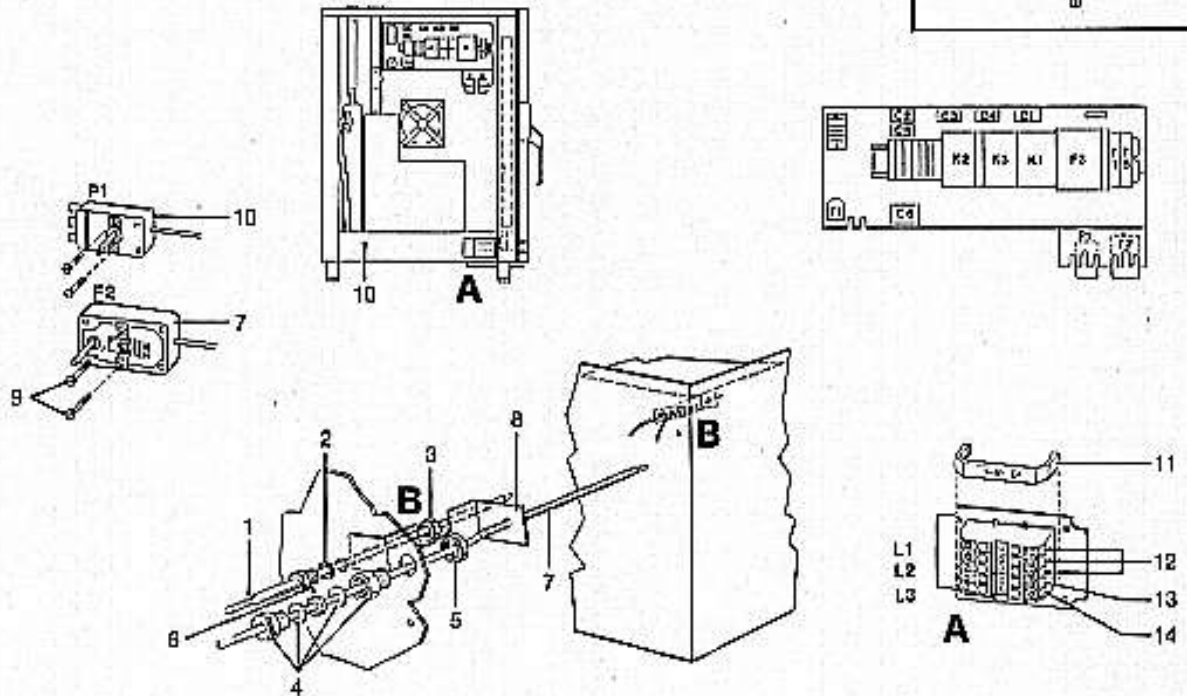


Pos.	Pcs.	Sp.	Part No.	Description	Sign.
1	4		4001.1203	end plate	
2	1		1002.0120	screw M3x10	
3	1		1203.0120	toothed lock washer A3,2	
4	1		1304.0150	washer A3,2	
5	1		3006.0101	alarm buzzer	T1
6	-		3031.0105	motor protector	
7	-		3031.0102	auxiliary contact for motor protector	
8	1		3031.0101	motor protector cpl.	F3
9	4		3035.0515	RC-link	C1-C4
10	2		3028.0506	contactor hot air	K3,K3.1
11	1		3040.0178	multipoint connector BL10	
12	1		3040.0177	plug-in module BL10	
13	3		4001.1174	distance block	
14	2		3028.0508	contactor steam generator	K4,K4.1
15	1		3028.0506	motor contactor	K2
16	1		3035.0517	varistor	VR
17	1		3028.0508	Main contactor	K1
18	1		3019.0120	fuse 2A	F1
19	1		3019.0400	fuse 0,5A	F2
20	2		4001.1228	fuse holder	F1,F2
21	1		4001.1227	cover for fuse holder	
22	6		4001.1176	plug-in termination	
23	1		4001.1222	terminal earth	
24	3		3035.0508	RC-link	C5-C7
25	3		1004.0660	hex socket head screw M4x10	
26	3		1203.0120	toothed lock washer A4,3	
27	3		1304.0160	washer A4,3	
28	4		1006.0801	hex-combi-nut M6	

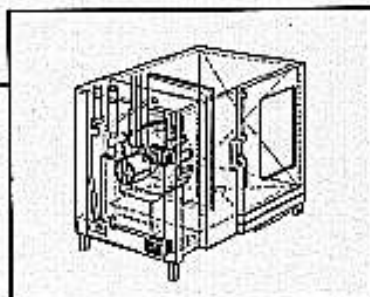


Electrical Installation

Component Group	Page	Edition	applicable from Serial No.
2	2.2	2.2.1	11M 86 03 1003

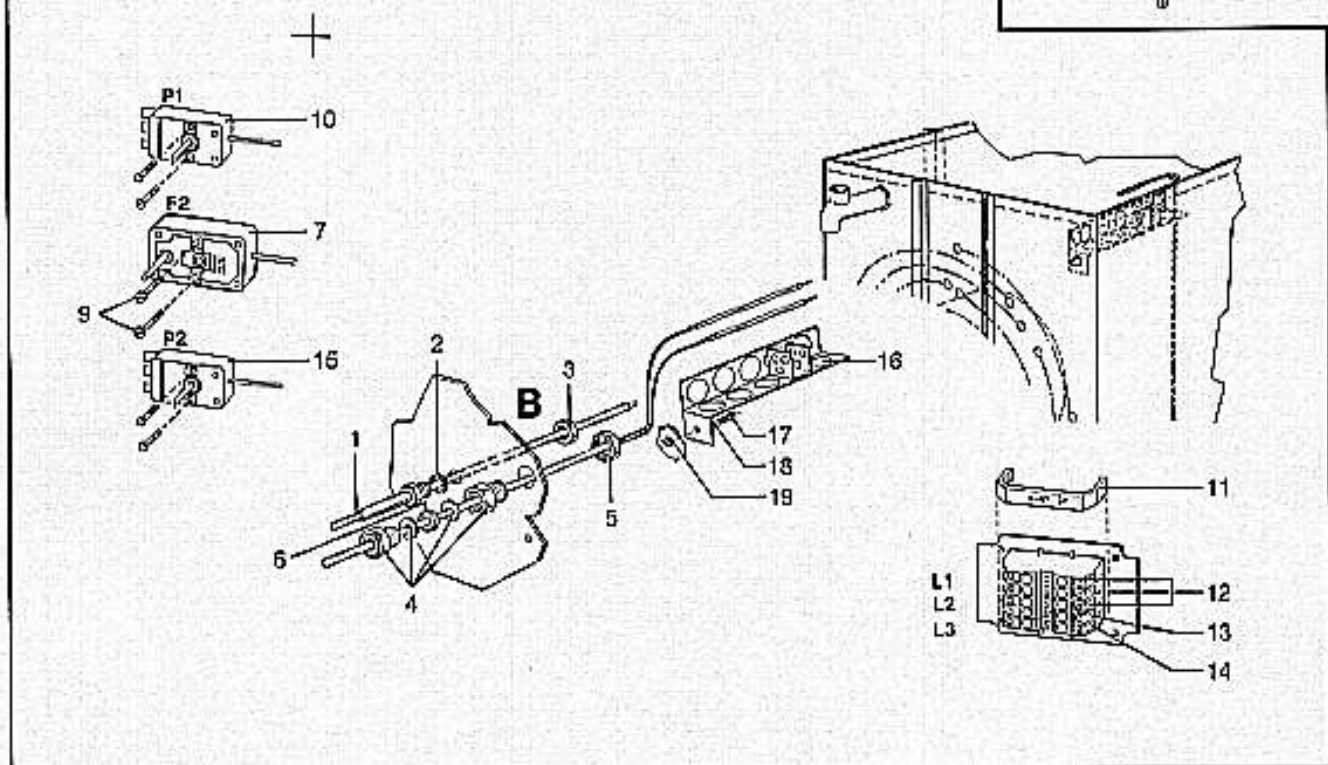


Pos.	Pcs.	Sp.	Part No.	Description	Sign
1	1		3014.0151	sensor interior cabinet	B1
2	1		1315.0101	copper washer	
3	1		1108.0180	hex nut M 6	
4	1		4007.0800	cabla connection PG 9	
5	1		4007.0801	lock nut for cable connection PG 9	
6	1		2022.0100	gasket	
7	1		3014.0310	bi-limit safety thermostat	F2
8	1		2520.400212	holder for thermostat	
9	4		1004.0060	slotted pan head screw	
10	1		3014.0312	thermostat quenching system	P1
11	4		4001.1213	cover	
12	3		4001.1209	terminal block grey 16 mm ²	
13	1		4001.1260	terminal block blue 16 mm ²	
14	1		4001.1210	terminal block yellow/green 16 mm ²	



Electrical Installation

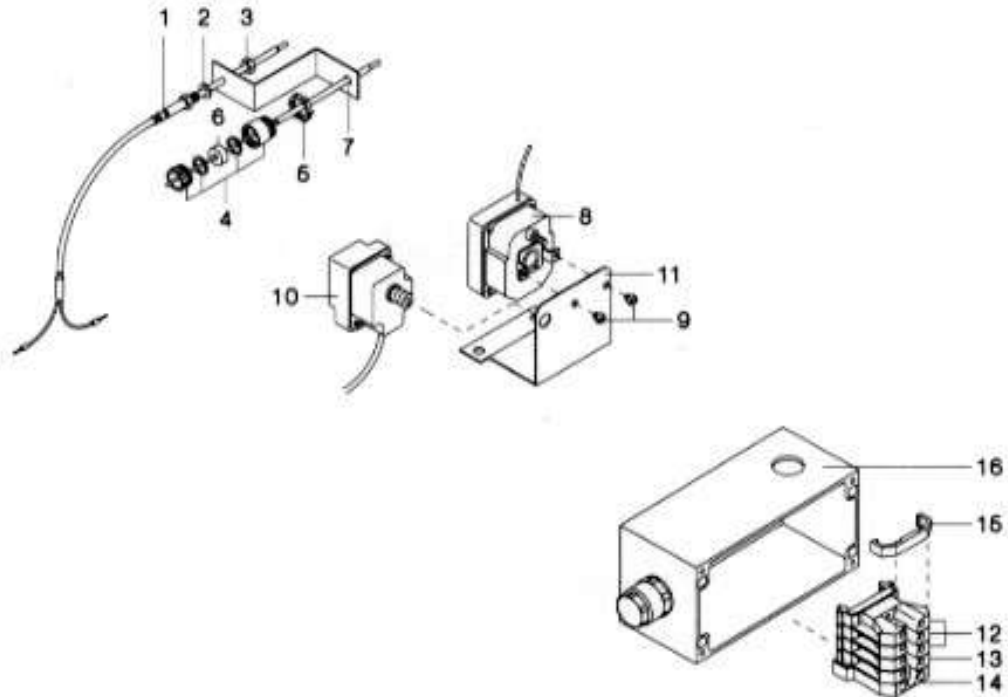
Component Group	Page	Edition	applicable from Serial No.
2	2.2	2.2.2	11M 89 10 4001



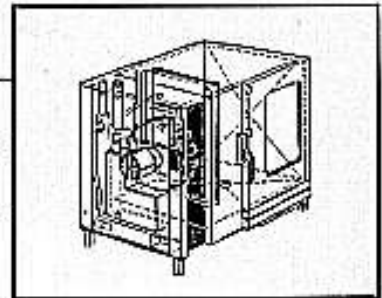
Pos.	Pcs.	Sp.	Part No.	Description	Sign
1	1		3014.0151	sensor interior cabinet	B1
2	1		1315.0101	copper washer	
3	1		1106.0160	hex nut M6	
4	1		4007.0600	cabl connection PG9	
5	1		4007.0601	lock nut for cabl connection PG9	
6	1		2022.0100	gasket	
7	1		3014.0310	bf-limit safety thermostat	F2
9	6		1004.0060	slotted pan head screw M 4x4	
10	1		3014.0312	thermostat	P1
				quenching system	
11	4		4001.1213	cover	
12	3		4001.1209	terminal block gray 16 mm ²	
13	1		4001.1250	terminal block blue 16 mm ²	
14	1		4001.1210	terminal block yellow/green 16 mm ²	
15	1		3014.0311	thermostat	P2
				int.cab.protection	
16	1		8430.7002	holder for thermostat complete	
17	1		1004.0660	hex socket head cap screw M 4x10	
18	1		1204.0120	toothed lock washer A4,3	
19	1		1104.0400	rivet nut M4	

Electrical Installation

Voltage	Group	Page	Edition	Application from Serial. No.
3 N AC 380V 50Hz	2	2.2	2.2.3	11M91042001

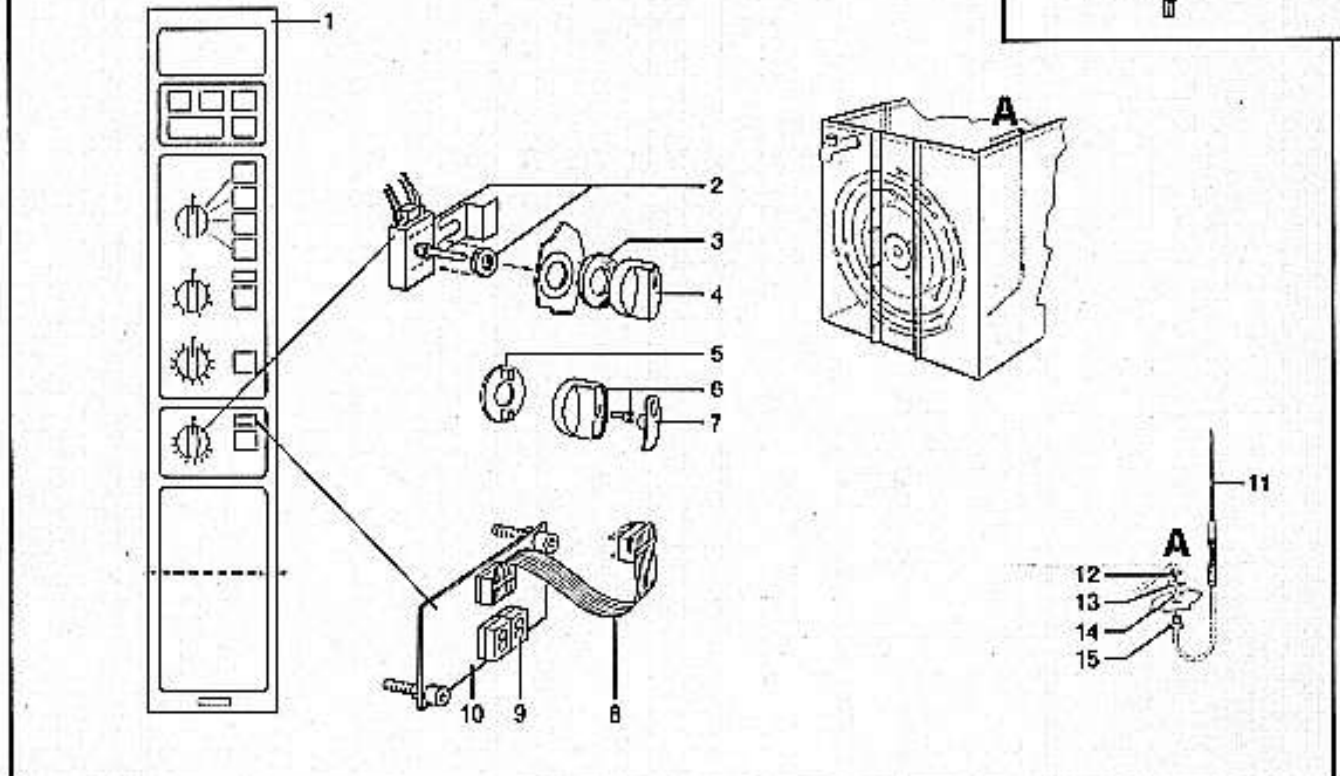


Pos.	Pcs.	Sp.	Part No.	Description	Sign.
1	1		3014.0151	interior cabinet sensor	E4
2	1		1315.0101	copper washer	
3	1		1106.0160	hex nut M6	
4	1		4007.0600	cable connection PG9	
5	1		4007.0601	hex nut PG9	
6	1		2022.0100	gasket	
7	1		2520.400212	holding angle	
8	1		3014.0310	bi-limit safety thermostat 360°C	F4
9	2		1004.0060	slotted pan head screw M4x4	
10	1		3014.0300	bi-limit safety thermostat 125°C	F5
11	1		2520.311089	holding angle	
12	3		4001.1202	terminal block grey 16mm ²	
13	1		4001.1250	terminal block blue 16mm ²	
14	1		4001.1210	earth terminal 16mm ²	
15	4		4001.1213	cover 16mm ²	
16	1		3038.0200	terminal box	

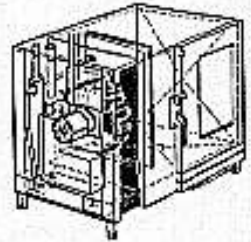


Core Temperature / Meat Probe

Component Group	Page	Edition	applicable from Serial No.
3	3.1	3.1.1	11M 86 03 1003

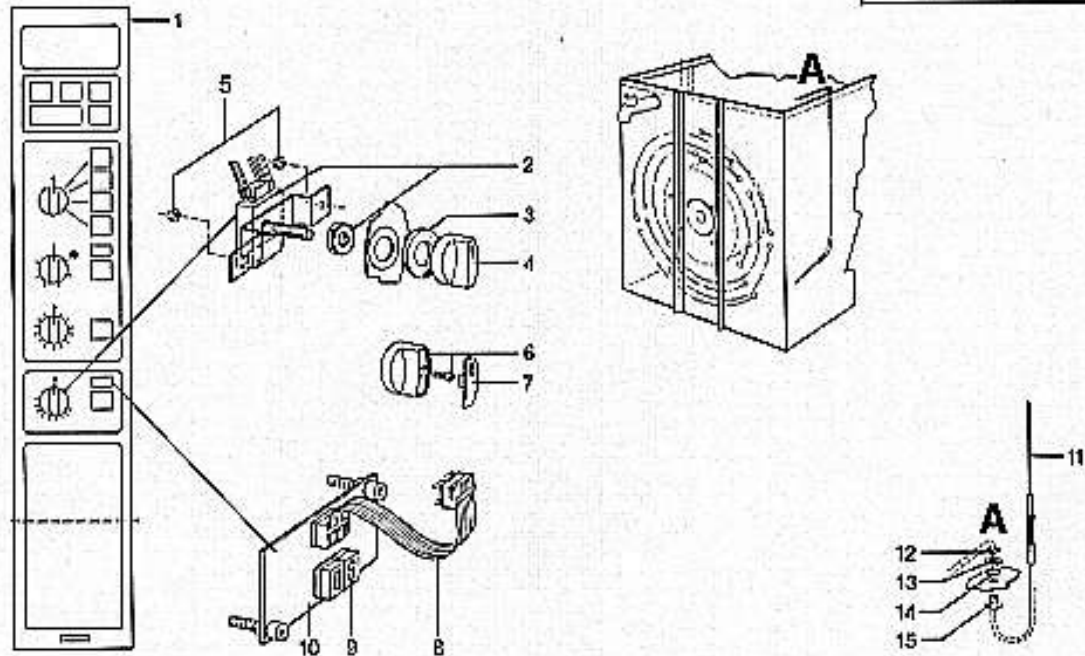


Pos.	Pcs.	Sp.	Part No.	Description	Sign
1	1		2049.0561	control panel	
2	1		3040.0151	potentiometer core temperature (incl. on/off)	S4,R2
3	1		5012.0530	gasket	
4	1		3013.0325	dial complete	
5	1		3013.0321	nut-cover	
6	1		3013.0320	knob	
7	1		3013.0322	knob-cover	
8	1		3040.0161	flat cable	
9	2		3040.0170	LED-display	
10	1		3040.0152	PCB - core temperature (pos. 8, 9, 10)	
11	1		3035.0607	meat probe sensor	E4
12	1		2066.0508	hose clamp	
13	1		3014.0306	hex nut for stuffing box	
14	1		3035.0606	copper washer	
15	1		3014.0307	stuffing box	

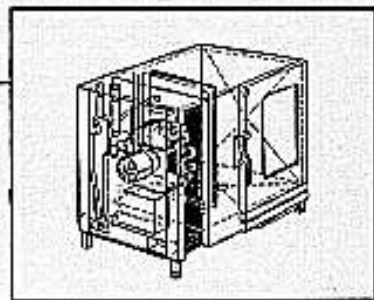


Core Temperature / Meat Probe

Component Group	Page	Edition	applicable from Serial No.
3	3.1	3.1.2	11M 87 11 1379

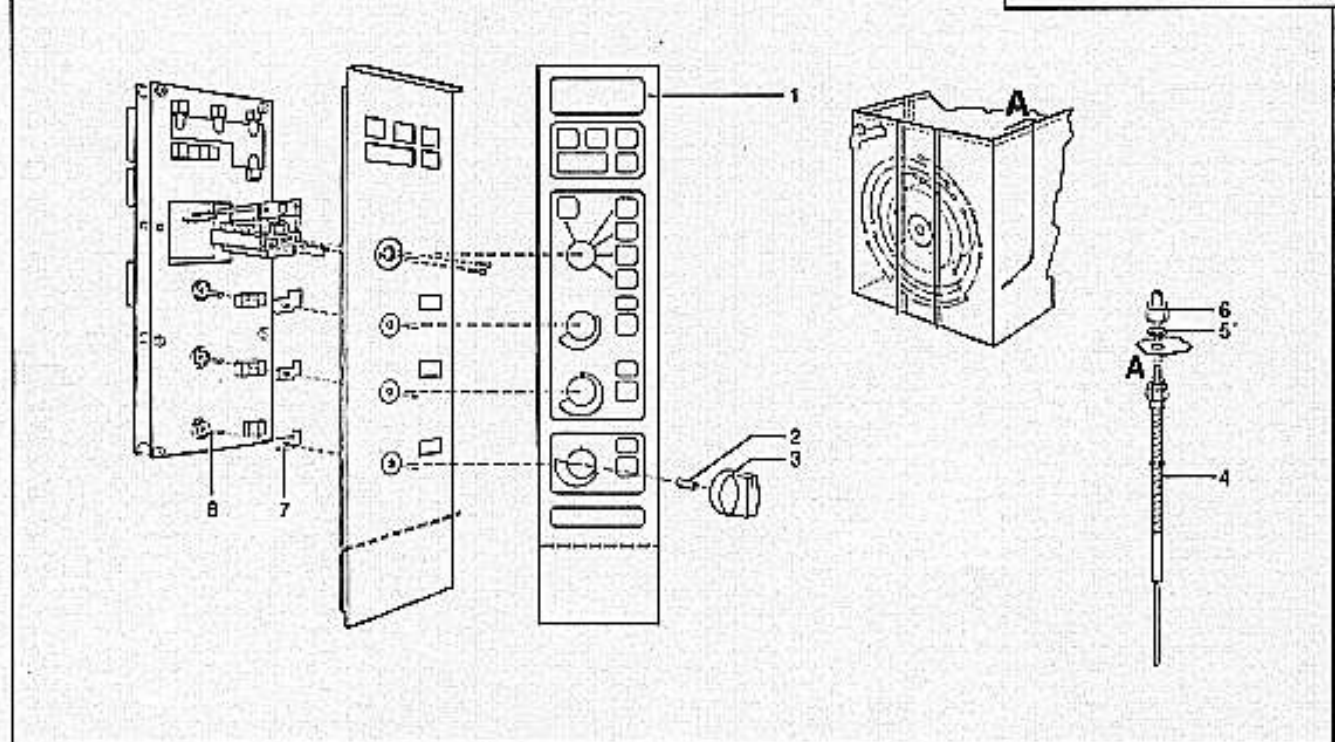


Pos.	Pcs.	Sp.	Part No.	Description	Sign
1	1		2049.0561	control panel	
2	1		3040.0151	potentiometer core temperature (incl. on/off)	S4,R2
3	1		5012.0530	gasket	
4	1		3013.0329	dial completo	
5	1		1106.0801	hex combi nut	
6	1		3013.0326	dial	
7	1		3013.0328	dial-cover	
8	1		3040.0161	flat cable	
9	2		3040.0170	LED-display	
10	1		3040.0152	PCB - core temperature (pos. 8,9,10)	
11	1		3035.0807	meat probe sensor	E4
12	1		2086.0508	hose clamp	
13	1		3014.0306	hex nut for stuffing box	
14	1		3035.0808	copper washer	
15	1		3014.0307	stuffing box	



Core Temperature / Meat Probe

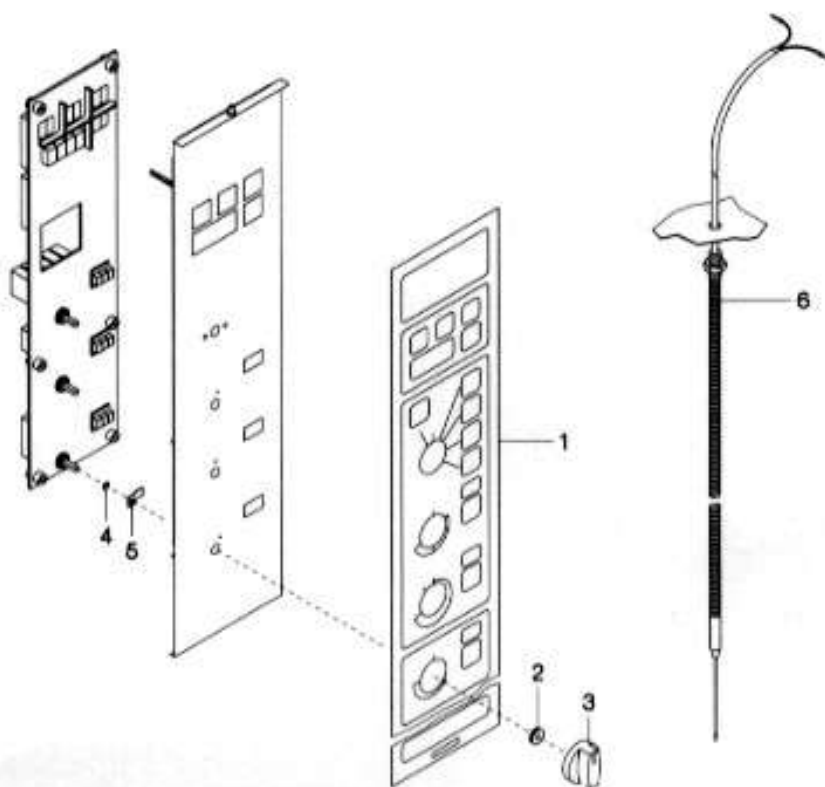
Component Group	Page	Edition	applicable from Serial No.
3	3.1	3.1.3	11M 89 04 1210



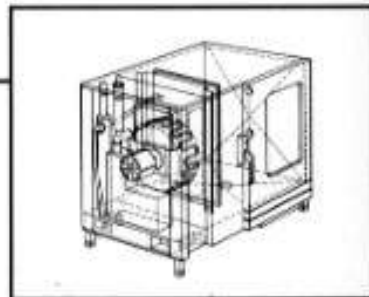
Pos.	Pcs.	Sp. Part No.	Description	Sign
1	1	2049.0713	control panel	
2	1	2022.0104	bushing	
3	1	3013.0331	dial	
4	1	3035.0607	meat probe sensor	B4
5	1	3035.0606	copper washer	
6	1	1112.0180	hex nut M12	
7	1	2510.520731	stop for pot core temp./timer	
8	1	3040.0183	potl for core temp.	Koch
8	1	3040.0190	potl plug core temp.	Koch
8	1	3040.0186	potl for core temp.	EGO

Core Temperature / Meat Probe

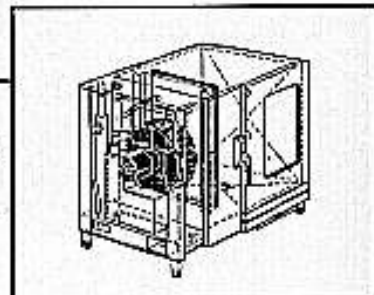
Voltage	Group	Page	Edition	Application from Serial. No.
3 N AC 380V 50Hz	3	3.1	3.1.3	21M91042001



Pos.	Pcs.	Sp. Part No.	Description	Sign.
1	1	2049.0822	control panel	
2	1	2022.0104	grommet	
3	1	3013.0330	dial	
4	1	1315.0101	copper washer	
5	1	2510.520731	stop for poti	
6	1	3035.0608	core temperature sensor core temperature	E1

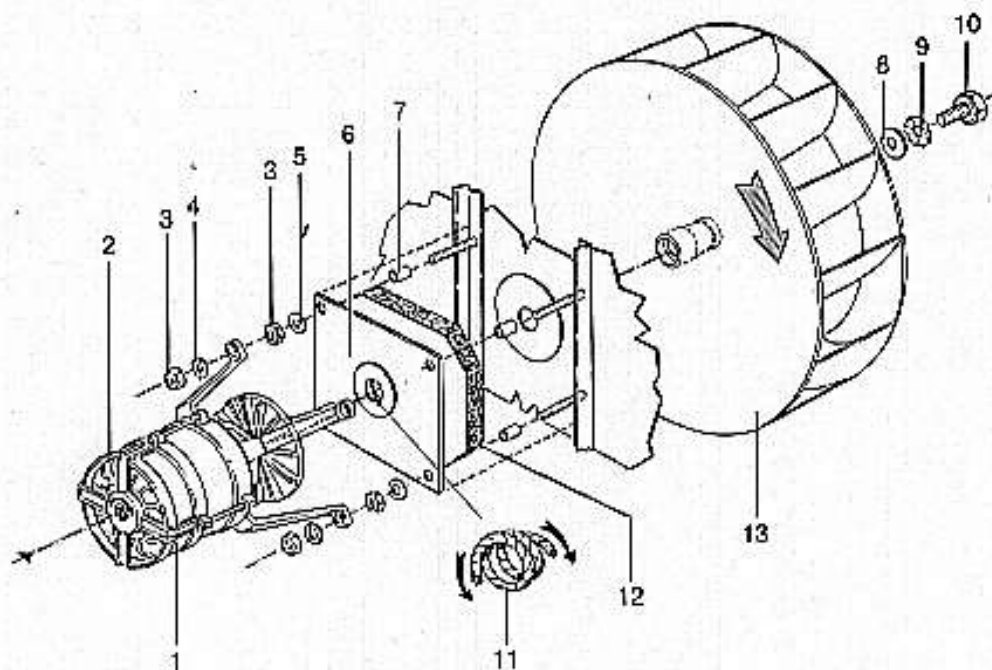
**Miscellaneous**

Pos.	Pcs.	Sp. Part No.	Description	Sign
1	1	8801.0995	interior wiring (wiring harness)	
2	100	4002.0100	cabie shoes 2,5 x 6,3	
3	100m	8801.1000	silicone wire, coloured 1,5 mm ² , (indicate colour)	
4	10m	4015.0202	fibre glass, black 1,5 mm ²	
5	10m	4015.0201	fibre glass, blue 1,5 mm ²	
6	1	9009.1000	high heat paste (tube)	
7		5006.0200	silicone (tube)	
8	1	2019.0101	black plastic knob for transport trolley	
9	2	2005.0401	castor without brake for transport trolley	
10	2	2005.0402	castor with brake for transport trolley	
11	1	8400.3002	handle for mobile oven rack	
12		1803.0164	pop rivet 3,2 x 10	
13		1004.2160	hex head tapping screw B 4,2 complete with washer V 2 A	
14		1104.0821	climp V 2 A	
15		2001.0040	loctite, heat resistant 10 ml	
16		9006.0850	stainless steel cleaner paste	



Motor and Fan Wheel

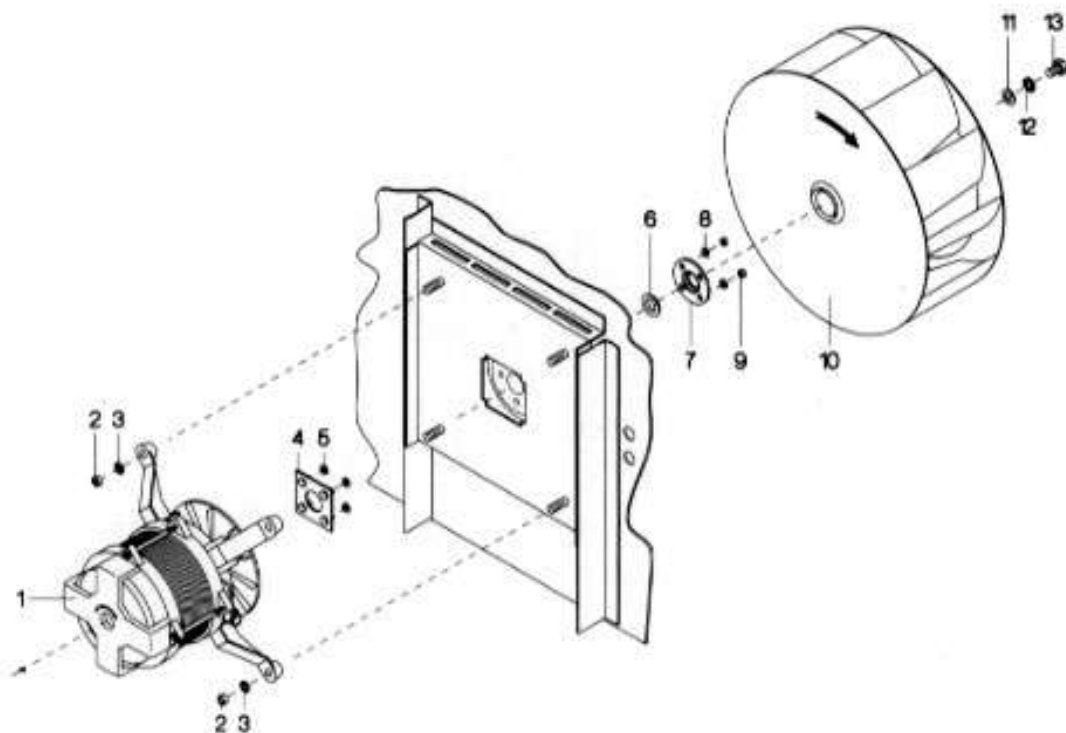
Component Group	Page	Edition	applicable from Serial No.
6	6.1	6.1.1	11M 86 03 1003



Pos.	Pcs.	Sp.	Part No.	Description	Sign
1	1		3001.0400	motor	
2	1		4019.0012	label direction of fan rotation	
3	8		1108.0260	hex nut M8	
4	4		1208.0160	toothed lock washer A 8,4	
5	4		1308.0561	washer \varnothing 9mm	
6	1		8008.8008	motor shaft packing complete	
7	4		2016.0848	spacer	
8	1		1310.0160	washer A 10,5	
9	1		1210.0160	toothed lock washer A 10,5	
10	1		1010.0760	hex screw M 10x16	
11	1		5002.0300	rope packing, greased	
12	1		5009.0100	insulation plate 200x205x20 mm	
13	1		2012.0500	fan wheel complete (with pos. 8-10)	

Motor and Fan Wheel

Voltage	Group	Page	Edition	Application from Serial. No.
3 N AC 380V 50Hz	6	6.1	6.1.2	11M91042001



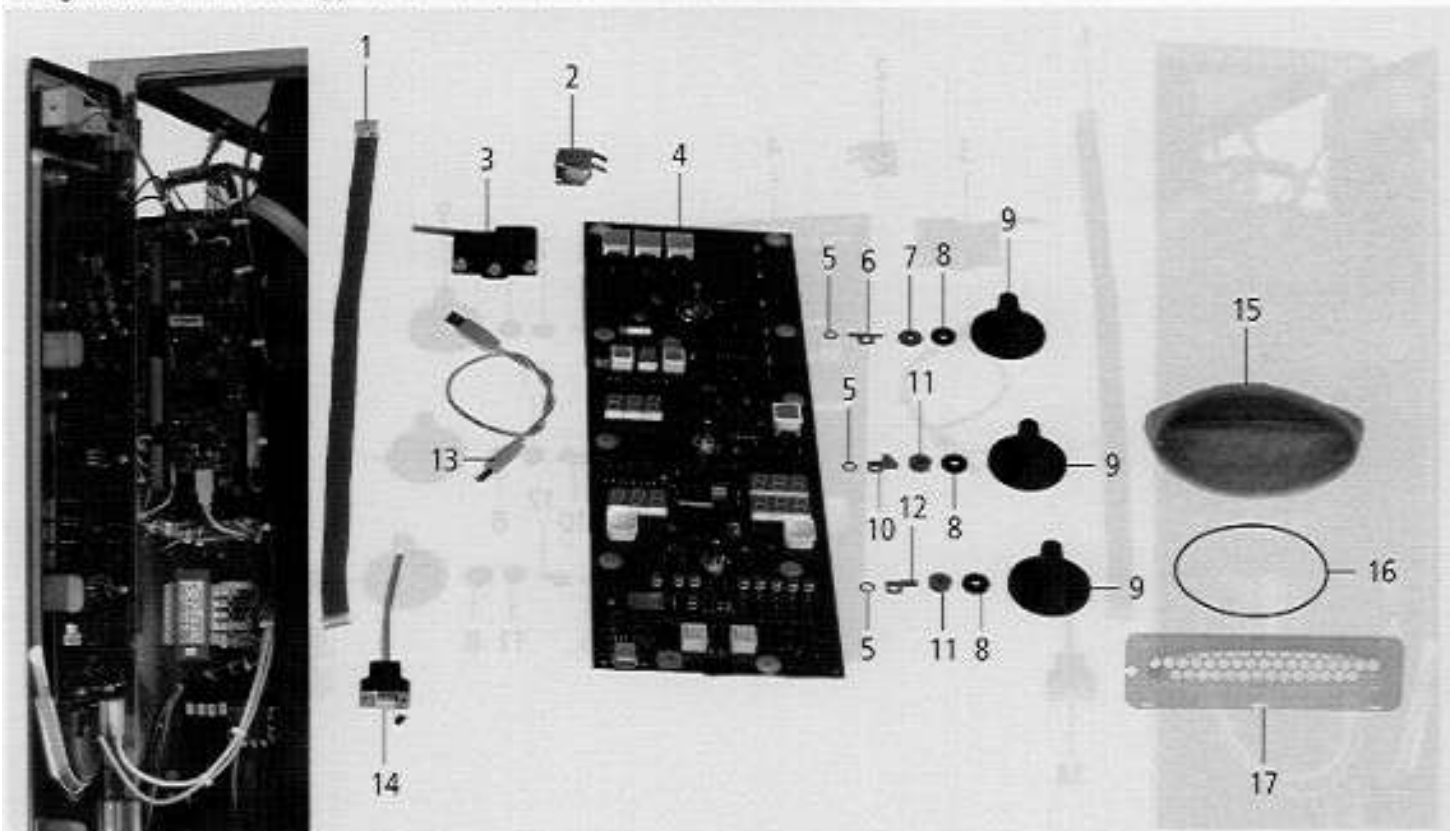
Pos.	Pcs.	Sp.	Part No.	Description	Sign.
1	1		3001.0426	motor	M1
2	4		1108.0260	hex nut M8	
3	4		1208.0160	toothed lock washer A8,4	
4	1		8506.0104	holder plate	
5	4		1315.0101	copper washer	
6	1		5001.0207	motor gasket	
7	1		2016.0876	gasket flange	
8	4		1306.0120	washer A6,4	
9	4		1106.0220	hex nut M6 flat	
10	1		2012.0500	fan wheel	
11	1		1310.0160	washer A10,5	
12	1		1210.0160	toothed lock washer A10,5	
13	1		1010.0760	hex screw M10x16	

Bedienblende / Control panel

Spannung / Voltage: **3 N AC 400V 50Hz**

Baugruppe / Group: **1** Ausgabe / Edition: **1.1.1**

Gültig ab Seriennummer / Applicable from serial. no.: **E11MA97061001**

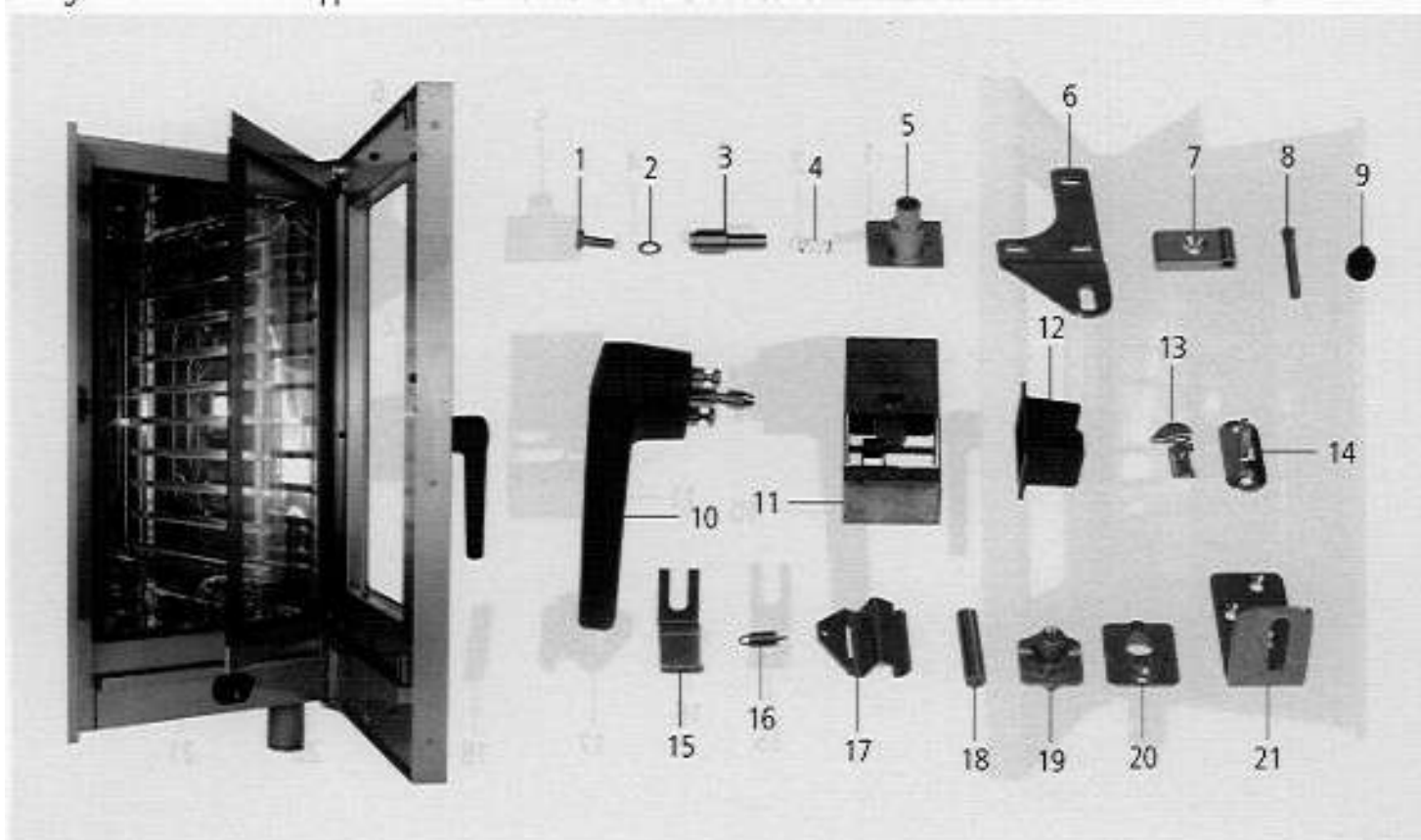


Pos.	St.	Ersatzteil Nr.	Bezeichnung	Description	Bez. Sign.
Pos.	Pcs.	Spare part no.			
1	1	8720.1300	Datentransferkabel CPU-Bedienplatine	Bus cable CPU - operator pcb	
2	1	3006.0107	Alarmsummer 12V, AC	Buzzer 12V ac	T2
3	1	3040.3011	Hauptschalter	Main switch	S1
-	2	1003.0030	Zylinderschraube M3x25	Slotted head screw M3x25	
-	2	1203.0260	Federring B3	Spring washer B3	
-	2	1304.0150	Unterlegscheibe A3,2	Washer A3,2	
-	2	1103.0120	Sechskantmutter M 3	Hexagonal nut M3	
4	1	3040.3010	Bedienplatine	Operator pcb	A1
5	3	1315.0101	Kupferdichtung 6x10 mm	Copper gasket 6x10 mm	
6	1	2760.1129	Arretierung für Poti Betriebsartenschalter	Arrestment for Poti mode switch block	
7	1	5110.1029	Dichtung für Betriebsartenschalter	Gasket mode switch	
8	3	5110.1027	Distanzscheibe	Distance plate	
9	3	3013.0344	Knebel	Dial	
10	1	2510.530746	Arretierung für Poti Heißluft	Stop for Poti hot air	
11	2	5110.1028	Dichtung für Poti Heißluft und Kerntemperatur	Gasket Poti hot air, core temperature	
12	1	2760.1100	Arretierung für Poti Kerntemperatur	Stop for Poti core temperature	
13	1	8720.1302	Kabel für Spannungsversorgung	Power supply cable operator pcb	
14	1	8817.1040	Schnittstellenkabel	Interface cable	
15	1	5214.1300	Luftfilter Bedienblende	Air inlet filter control panel	
16	1	5012.0565	O-Ring d 115x2,5mm	O-ring d 115x2,5mm	
17	1	2039.0337	Filterträger Bedienblende	Filter support control panel	
-	1	5100.1011	Dichtung für Blendeneinsatz	Gasket frame for panel	

Gerätetür / Door

 Spannung / Voltage: **3 N AC 400V 50Hz**

 Baugruppe / Group: **8** Ausgabe / Edition: **8.1.1**

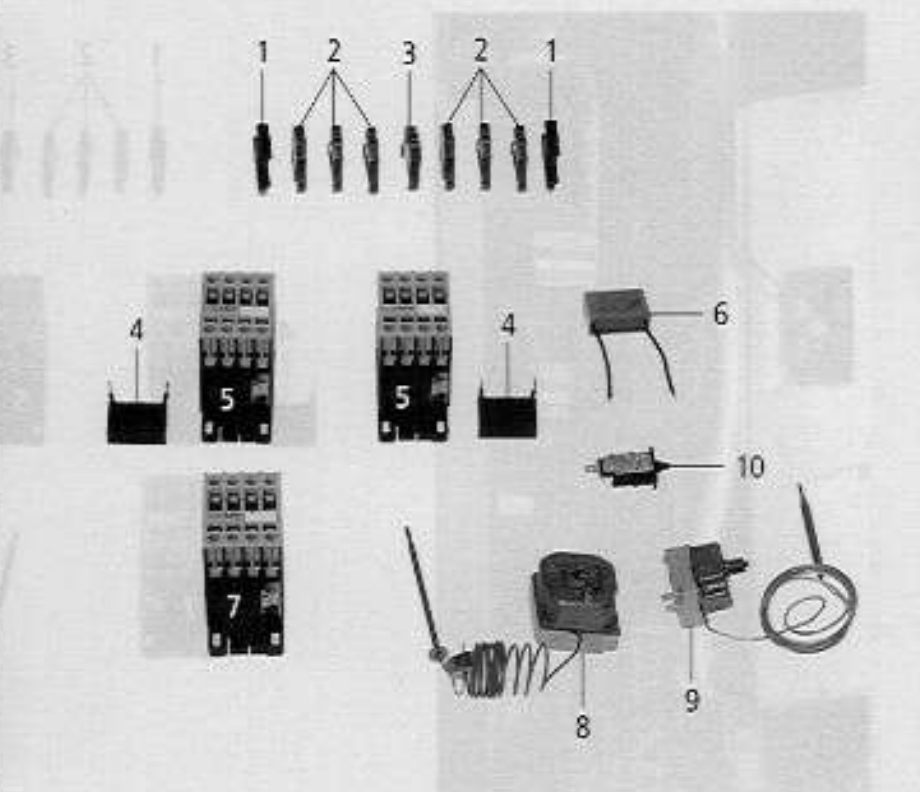
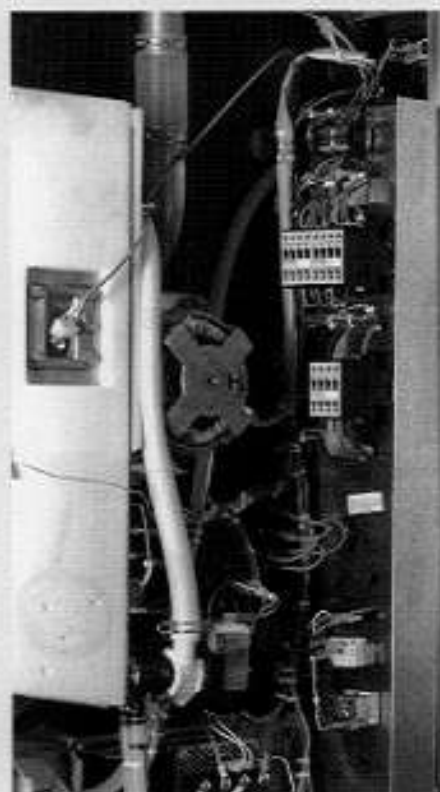
 Gültig ab Seriennummer / Applicable from serial. no.: **E11MA97061001**


Pos.	St.	Ersatzteil Nr.	Bezeichnung	Description	Bez. Sign.
Pos.	Pcs.	Spare part no.			
-	1	8470.1301	Türe kpl.	Door cpl.	
-	1	8474.1337	Innenglassscheibe kpl.	Internal glass cpl.	
-	1	5105.1021	Garraumdichtung	Door gasket	
1	1	1006.0761	Sechskantschraube M 6x12	Hexagonal screw M 6x12	
2	1	1306.0120	Unterlegscheibe A6,4	Washer A6.4	
3	1	2120.1254	Achszapfen Tür oben	Door bolt top	
4	1	2001.0118	Druckfeder oberer Türhaltebolzen	Compression spring upper door bolt	
5	1	2940.1300	Achshülse Tür oben	Sleeve for door bolt top	
6	1	2939.1307	Türhaltewinkel oben	Door holding angle top	
-	3	1008.0200	Linsenkopfschraube mit Innensechskant	Raised countersunk allen screw M8x16	
7	1	2940.1309	Scharnier für Innenscheibe	Hinge for inner glass	
-	2	1005.1960	Senkschraube mit Innensechskant M5x16	Hex socket countersunk head screw M5x16	
8	1	2120.1258	Rändelbolzen für Türhaltescharnier	Knurled bolt for inner door hinge	
9	1	2039.0402	Puffer für Türe	Door buffer	
10	1	2016.1504	Türgriff	Door handle	
11	1	8474.1300	Verschluss kpl. für Tür	Lock for door handle cpl.	
12	1	2039.0319	Abdeckung f. Schloß Innenseite	Internal lock cover	
13	1	2940.1312	Kloben für Türe	Door catch	
-	1	1005.2000	Sperrzahnschraube M 5x8	Interlocking tooth screw M 5x8	
14	1	2940.1313	Klobenhalter für Türe	Base for door catch	
-	2	1006.0761	Sechskantschraube M 6x12	Hexagonal screw M 6x12	
15	1	2760.1396	Federhalter für Arretierung Innenglassscheibe	Spring support for interior glass holding bracket	
16	1	2002.0106	Zugfeder für Arretierung Innenglassscheibe	Tension spring for inner window	
17	1	2760.1395	Arretierung Innenglassscheibe	Holding bracket for interior glass	
18	1	3016.1409	Magnet rund Tischgeräte	Magnet round table models	
19	1	2940.1302	Rasthülse	Door setting bolt	
-	1	1008.0766	Sechskantschraube M8x30	Hexagonal screw M8x30	
20	1	2940.1303	Rastzapfen 110°	Stop bolt 110°	
-	1	1005.1960	Senkschraube mit Innensechskant M5x16	Hex socket countersunk head screw M5x16	
21	1	2930.1306	Türhaltewinkel unten	Door mounting support bottom	
-	3	1006.1960	Senkschraube mit Innensechskant M6x16	Hexagonal socket countersunk head screw M6x16	

Elektromontageplatte / Electrical Installation

 Spannung / Voltage: **3 N AC 400V 50Hz**

 Baugruppe / Group: **3** Ausgabe / Edition: **3.1.1**

 Gültig ab Seriennummer / Applicable from serial. no.: **E11MA97061001**


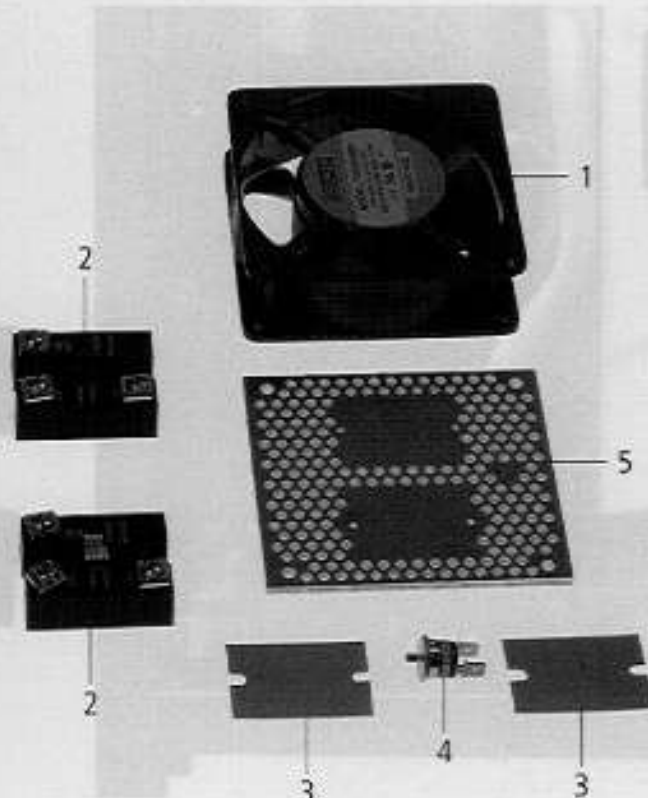
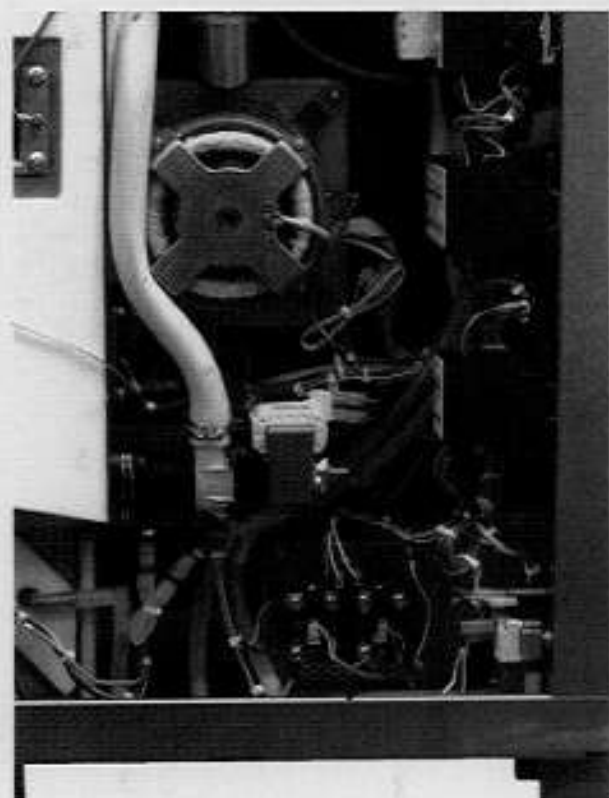
Pos.	St.	Ersatzteil Nr.	Bezeichnung	Description	Bez. Sign.
Pos.	Pcs.	Spare part no.			
1	2	4001.1203	Endklammer für Tragschiene	End plate for supporting rail	
2	6	4001.1216	Reihenklammer 4mm ² grau	Terminal 4mm ² grey	
3	1	4001.1222	Erdungsreihenklammer 4mm ² gelb/grün	Earth terminal 4mm ² yellow/green	
4	2	3028.0562	RC-Glied für LS4K - LS30K	RC-link for LS4K - LS30K	C2,C3
5	2	3028.0550	Schütz AEG LSW4K01	Contacteur AEG LSW4K01	K2,2.1
6	1	3102.1000	Wechselspannungskondensator 1,5 µF	Capacitor 1,5 µF,250V AC	C1
7	1	3028.0551	Schütz AEG LS4K10	Contacteur AEG LS 4K10	K1
8	1	3014.0326	Sicherheitstemperaturbegrenzer 360°C	Safety temperature limiter 360°C	F3
9	1	3014.0300	Trockengehschutz 135°C	Dry up protector 135°C	F2
10	1	3014.0402	Überstromauslöser 1polig Motorschutz	Motor protector	F6

Elektromontageplatte / Electrical Installation

Spannung / Voltage: **3 N AC 400V 50Hz**

Baugruppe / Group: **3** Ausgabe / Edition: **3.2.1**

Gültig ab Seriennummer / Applicable from serial. no.: **E11MA97061001**



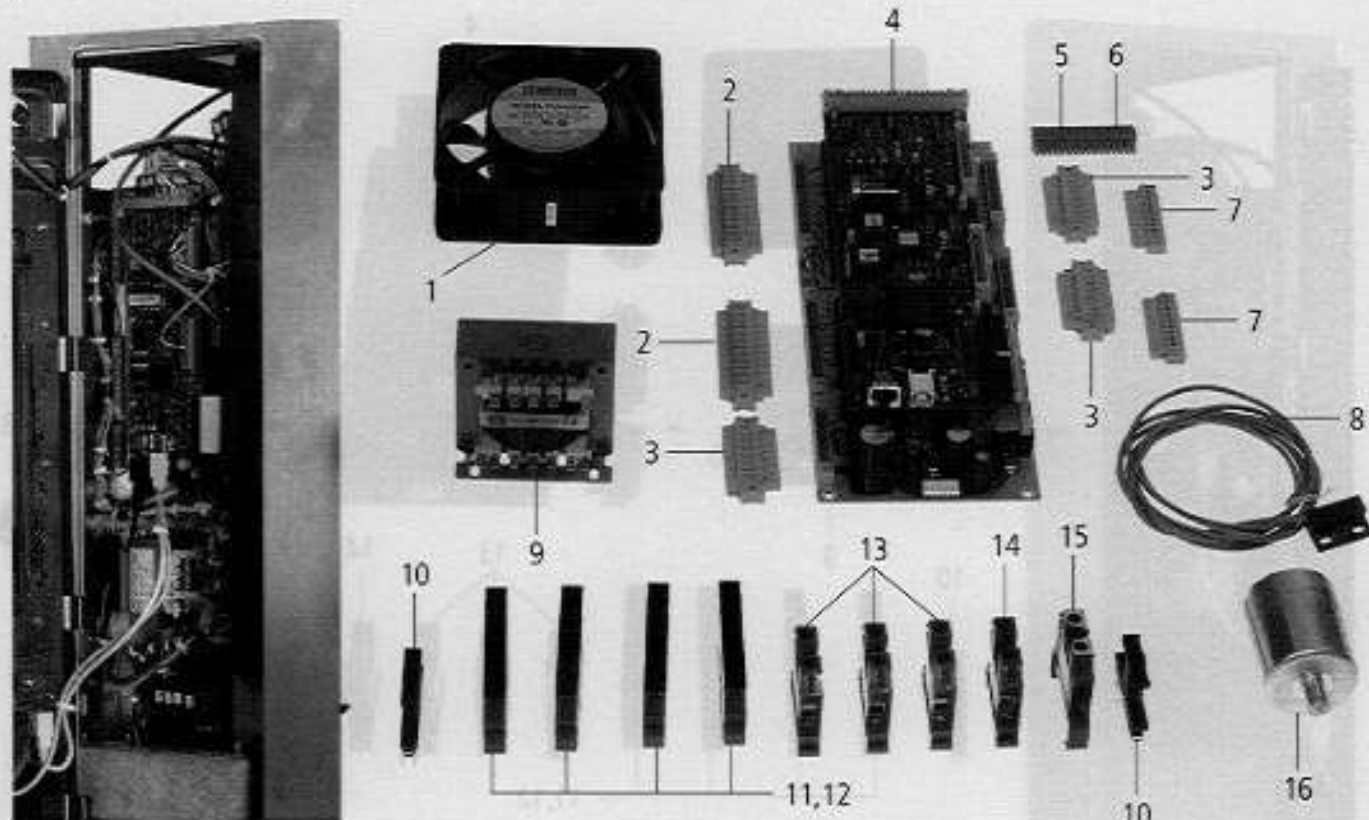
Pos.	St.	Ersatzteil Nr.	Bezeichnung	Description	Bez. Sign.
Pos.	Pcs.	Spare part no.			
1	1	3101.1008	Kühllüfter	Cooling motor	M2
2	2	3028.0533	Leistungshalbleiter 2x40A	Solid State relais 2pol, 40A	K3,3.1
-	4	1004.0500	Gewinde Schneidschraube M4x8 mit Linsenkopf	Raised countersunk metal screw M4x8	
-	4	1204.0120	Zahnscheibe A4,3	Toothed lock washer A4,3	
3	2	3028.0531	Wärmeleitfolie für Leistungshalbleiter	Heat transfer tape solid state relais	
4	1	3014.0325	Bimetallschalter 110°, Halbleiterplatte	Bimetal switch 110° solid state relay	F4
5	1	2930.1302	Kühlplatte-Leistungshalbleiter	Cooling plate solid state relay	
-	4	1004.0662	Innensechskantschraube M4x25	Allen screw M4x25	
-	4	1204.0120	Zahnscheibe A4,3	Toothed lock washer A4,3	
-	4	1306.0218	Unterlegscheibe A4,3 DIN9021	Washer A4,3 DIN9021	
-	4	1104.0122	Sechskant-Combimutter M4 verzinkt	Hex combination nut M4 galv	

Elektromontageplatte / Electrical Installation

Spannung / Voltage: **3 N AC 400V 50Hz**

Baugruppe / Group: **2** Ausgabe / Edition: **2.1.1**

Gültig ab Seriennummer / Applicable from serial. no.: **E11MA97061001**

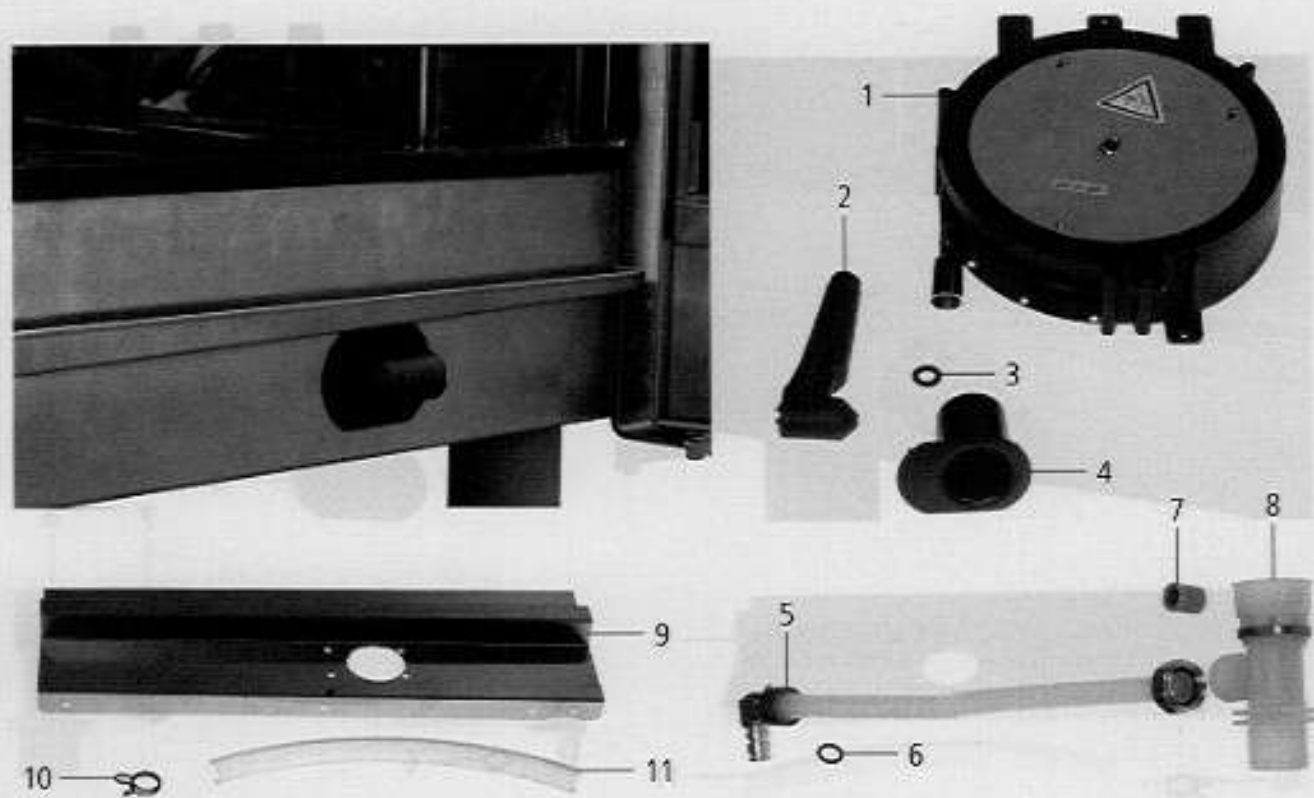


Pos.	St.	Ersatzteil Nr.	Bezeichnung	Description	Bez. Sign.
Pos.	Pcs.	Spare part no.			
1	1	3101.1008	Kühllüfter	Cooling motor	M2
2	2	3040.0254	Steckerleiste 12pol, 5.08	Multipoint connector 12pol, 5.08	
3	3	3040.0253	Steckerleiste 8polig, 5.08	Multipoint connector 8pol, 5.08	
4	1	3040.3000	Steuerelektronik	Control PCB	A2,A3
5	1	3040.0262	Steckerleiste links 10polig, 3.5	Multipoint connector left 10polig, 3.5	
6	1	3040.0261	Steckerleiste rechts 10polig 3.5	Multipoint connector right 10polig	
7	2	3040.0256	Steckerleiste 12pol, 3.5	Multipoint connector 12pol, 3.5	
8	1	3016.1415	Türkontaktschalter	Door contact switch	S3
9	1	3037.0240	Steuertrafo 200-260V	Control transformer 200-260V	T1
10	2	4001.1203	Endklammer für Tragschiene	End plate for supporting rail	
11	4	4001.1283	Sicherungsklemme 6x32 4 qmm	Fuse holder terminal block 4qmm,6x32mm	F1,F7
12	4	4001.0224	Sicherung 6.35x32mm, 6.3A träge	Fuse 6.35x32mm, 6.3A slow	F1,F7
13	3	4001.1202	Reihen клемme 16mm² grau	Terminal 16mm² grey	
14	1	4001.1250	Reihen клемme 16mm² blau	Terminal 16mm² blue	
15	1	4001.1210	Erdungsreihen клемme 16mm² gelb/grün	Earth terminal 16mm² yellow/green	
16	1	3001.0455	Entstörfilter	Electronic noise filter	Z1

Handbrause / Hand shower

 Spannung / Voltage: **3 N AC 400V 50Hz**

 Baugruppe / Group: **11** Ausgabe / Edition: **11.1.1**

 Gültig ab Seriennummer / Applicable from serial. no.: **E11MA97061001**


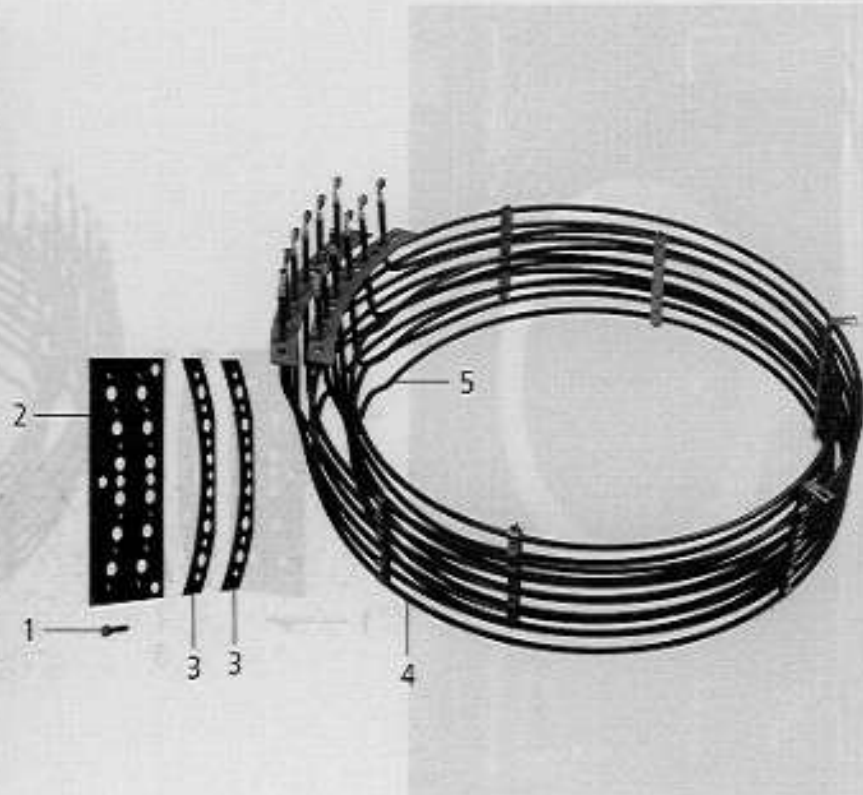
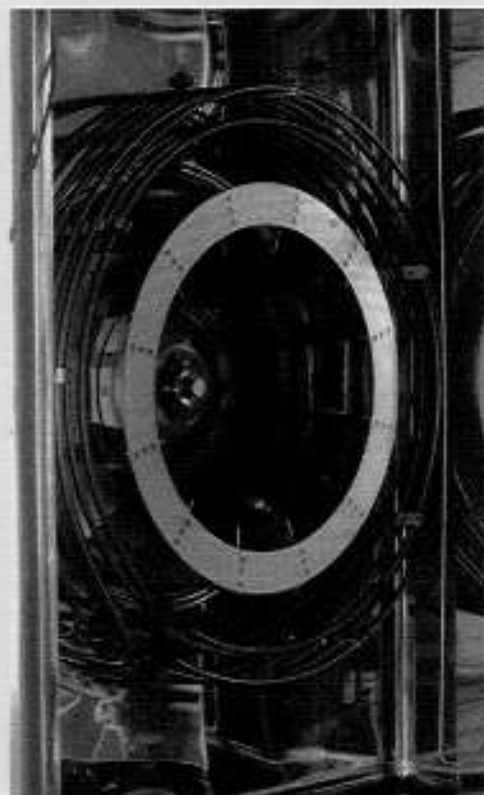
Pos.	St.	Ersatzteil Nr.	Bezeichnung	Description	Bez. Sign.
Pos.	Pcs.	Spare part no.			
1	1	8655.2021	Schlauchroller	Handshower roll guide	
2	1	2060.1000	Handbrause	Hand shower	
3	1	5012.0539	Dichtung für Verschraubung G 1/2"	Gasket for G1/2" threaded joint	
4	1	2060.1210	Tulpe für Handbrause	Tulip for handshower	
-	4	1107.0103	Schnellbefestiger d3mm	Quick fastener d3mm	
5	1	2062.0327	Anschlußrohr Schlauchroller	Connecting pipe hand shower	
6	2	2060.0228	O-Ring für Brauseschlauch	O-ring for shower hose	
7	1	2069.0105	Rückschlagventil DN8	Non return valve DN8	
8	1	8464.1300	T-Stück Wasseranschluss Handbrause	T-water connection handshower	
9	1	8455.1315	Gerätetropfwanne	Drip collector	
10	1	2066.0525	Schlauchklemme 22,1mm	Hose clamp 22,1mm	
11	1	2110.1002	Silikonschlauch d15x3	Silicone hose d15x3	

Heißluftheizung / Hot air heating

Spannung / Voltage: **3 N AC 400V 50Hz**

Baugruppe / Group: **5** Ausgabe / Edition: **5.1.1**

Gültig ab Seriennummer / Applicable from serial. no.: **E11MA97061001**



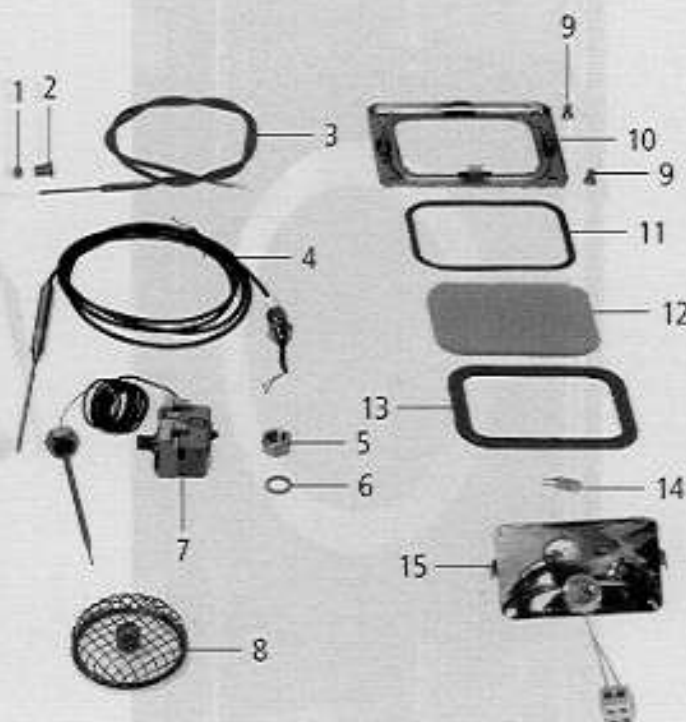
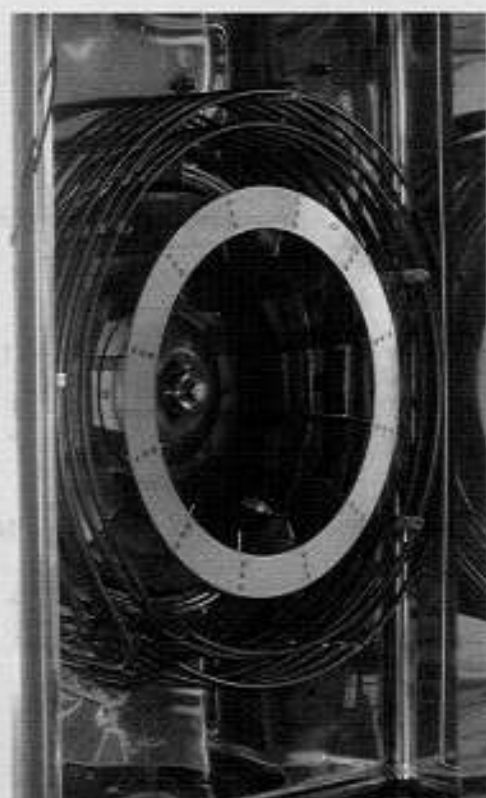
Pos.	St.	Ersatzteil Nr.	Bezeichnung	Description	Bez. Sign.
Pos.	Pcs.	Spare part no.			
1	12	1006.0766	Sechskantschraube M 6x25, HL Register	Hex screw M6x25, hot air heater	
-	14	1306.0222	Unterlegscheibe A6,4	Washer A6.4	
2	1	2150.1251	Doppelflansch Aussenseite	External double flange for hot air heater	
3	2	5110.1009	Dichtring f. Heizregister	Seal ring for heating assembly	
4	1	3200.1001	Heizregister außen 230V	Outer heating assembly 230V	
5	1	3200.1000	Heizregister innen 230V	Inner heating assembly 230V	
-	2	1106.0360	Hutmutter M6 hohe Form	Cap nut M6, high shape	

Garraum / Interior cabinet

Spannung / Voltage: **3 N AC 400V 50Hz**

Baugruppe / Group: **7** Ausgabe / Edition: **7.1.1**

Gültig ab Seriennummer / Applicable from serial. no.: **E11MA97061001**



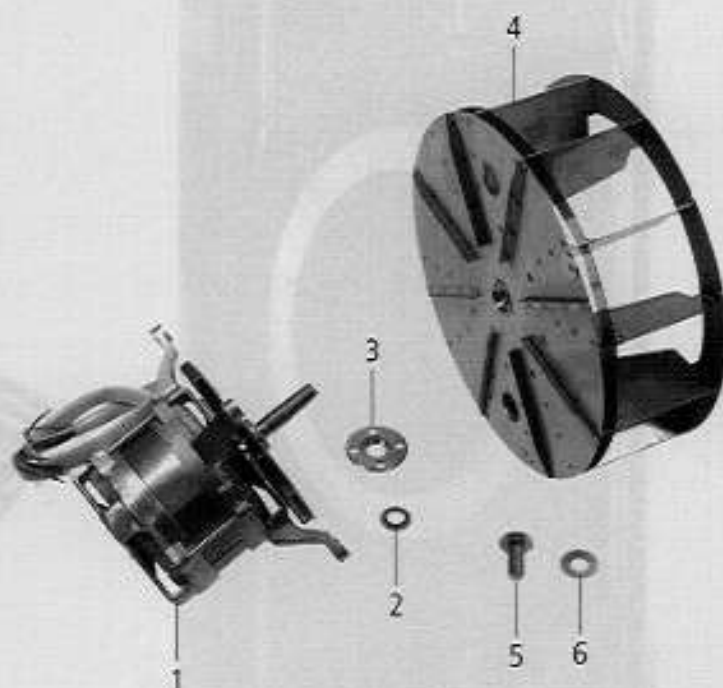
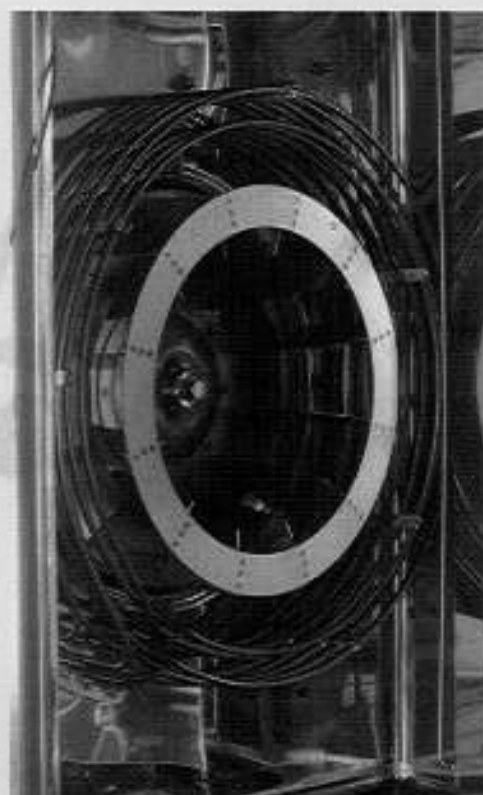
Pos.	St.	Ersatzteil Nr.	Bezeichnung	Description	Bez. Sign.
Pos.	Pcs.	Spare part no.			
-	1	8516.1301	Luftleitblech	Air baffle	
1	1	3014.0162	Dichtkegel für Thermoelement	Sealing cone for thermo element	
2	1	3014.0163	Stopfbuchsnippel für Thermoelement	Gasket sleeve with nipple	
3	1	3014.1000	Thermoelement - lang -	Thermocouple -long-	B1
4	1	3035.0710	Einstechfühler	Meat probe sensor	B3
5	1	1112.0110	Sechskantmutter M 10	Hexagonal nut M10	
6	1	1315.0105	Kupferdichtring für Einstechfühler	Copper washer for meat probe sensor	
7	1	3014.0326	Sicherheitstemperaturbegrenzer 360°C	Safety temperature limiter 360°C	F3
8	1	2005.0302	Ablaufsieb	Outlet sieve	
9	4	1008.0753	Sechskantschraube M 5x8	Hexagonal screw M5x8	
10	1	8514.1017	Andrückrahmen f. Garraumbeleuchtung	Press down frame for interior lighting	
11	1	5110.1022	Dichtungsrahmen außen	External gasket frame	
12	1	5201.1000	Glas f. Garraumbeleuchtung	Glass for interior lamp	
13	1	5110.1023	Dichtungsrahmen innen	Internal gasket frame	
14	1	3024.0201	Halogengarraumlampe 10 W/12V/300°	Halogen bulb 10 W/12V/300°	H1
15	1	8514.1018	Reflektor kpl. f. Garraumbeleuchtung	Reflector unit for interior lighting	

Motor und Lüfterrad / Motor and fan wheel

Spannung / Voltage: **3 N AC 400V 50Hz**

Baugruppe / Group: **6** Ausgabe / Edition: **6.1.1**

Gültig ab Seriennummer / Applicable from serial. no.: **E11MA97061001**



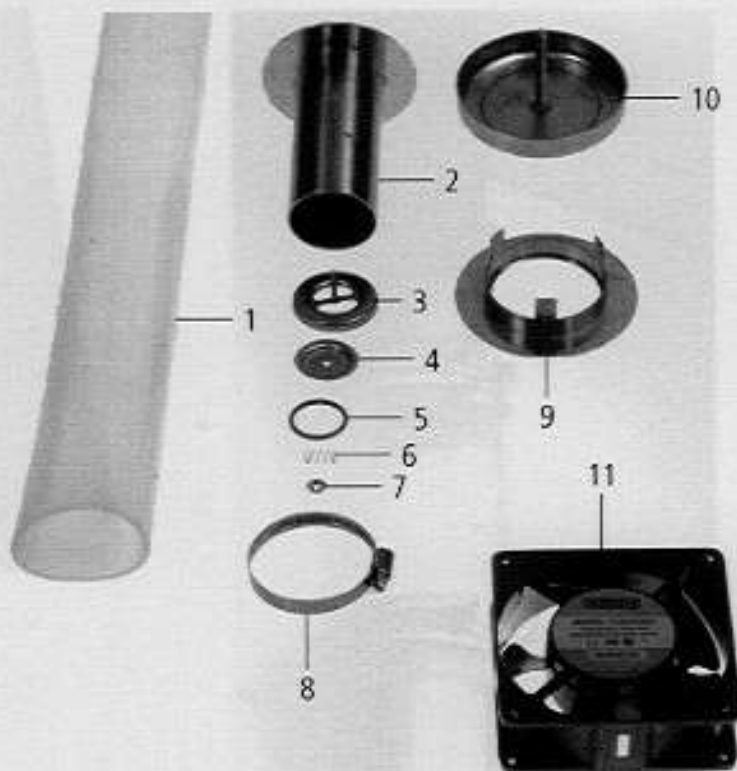
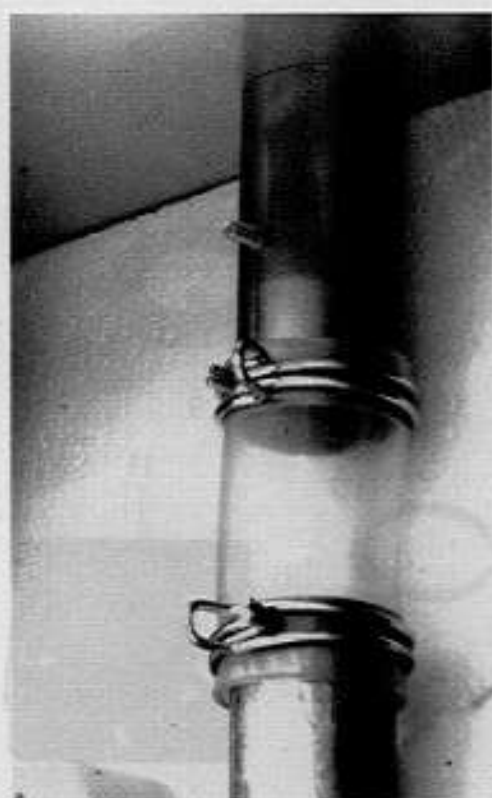
Pos.	St.	Ersatzteil Nr.	Bezeichnung	Description	Bez. Sign.
Pos.	Pcs.	Spare part no.			
1	1	3100.1021	Lüftermotor 4/4pol	Fan motor 4/4pol	M1
-	4	1108.0260	Sechskantmutter M 8	Hexagonal nut M8	
-	4	1208.0260	Federring B8	Spring washer B8	
2	1	5001.0207	Motorwellendichtung	Motor shaft gasket type	
3	1	2016.0876	Dichtungsflansch für Motorwelle	Gasket flange for engine shaft	
-	4	1106.0220	Sechskantmutter M6 flach	Hexagonal nut M6 flat	
-	4	1306.0120	Unterlegscheibe A6,4	Washer A6.4	
4	1	2012.0507	Lüfterrad	Fan wheel	
5	1	1010.0762	Sechskantschraube M 10x20	Hexagonal screw M10x20	
6	1	1328.0102	Sperrkantscheibe A10,2	Safety washer A10,2	

Sicherheitsventil / Safety valve

Spannung / Voltage: **3 N AC 400V 50Hz**

Baugruppe / Group: **9** Ausgabe / Edition: **9.1.1**

Gültig ab Seriennummer / Applicable from serial. no.: **E11MA97061001**



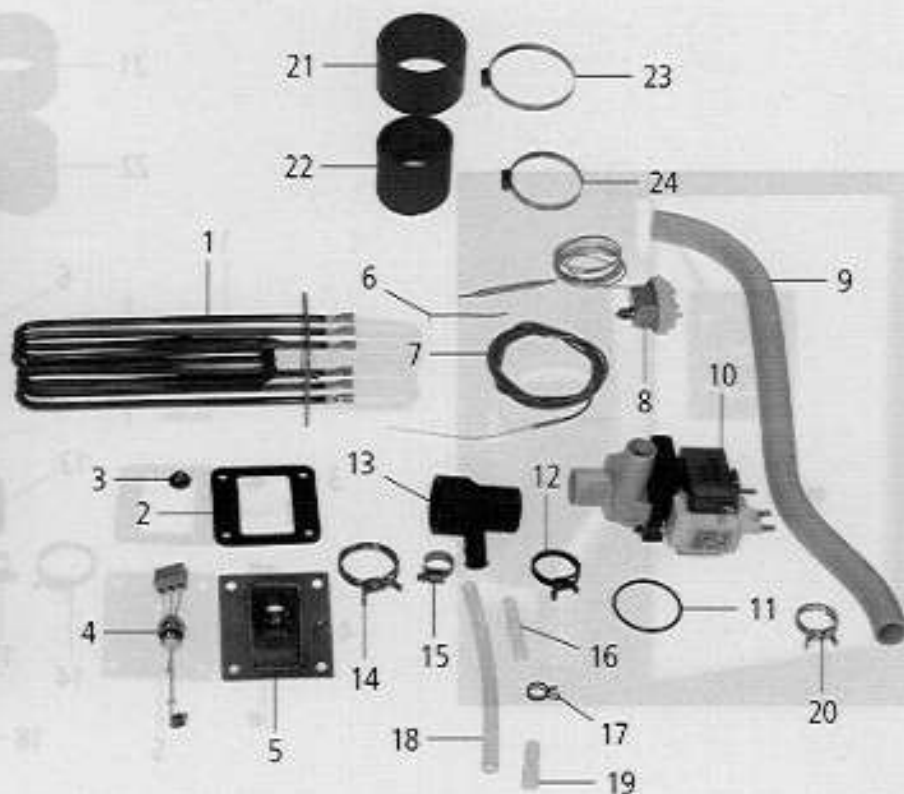
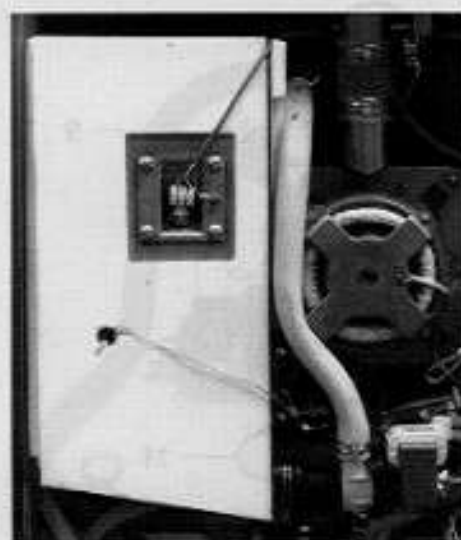
Pos.	St.	Ersatzteil Nr.	Bezeichnung	Description	Bez.
Pos.	Pcs.	Spare part no.			Sign.
1	1	2112.1301	Silikonschlauch d50x3x100	Silicone hose d50x3x100	
2	1	8450.1305	Rohr für Sicherheitsventil	Mounting pipe for safety valve	
3	1	2064.1302	Teller für Sicherheitsventil	Base for safety valve	
4	1	2064.1304	Deckel für Sicherheitsventil	Cover for safety valve	
5	1	5012.0546	O-Ring d 17,0x2,0mm	O-ring d 17,0x2,0mm	
6	1	2001.0117	Druckfeder für Sicherheitsventil	Compression spring for safety valve	
7	1	1107.0103	Schnellbefestiger d3mm	Quick fastener d3mm	
8	2	2066.0504	Schlauchschelle 40-60mm	Hose clamp 40-60mm	
9	1	2812.1304	Abstandshalter für Glocke	Spacer for vent cover	
10	1	8455.1209	Glocke	Vent cover	
11	1	3101.1008	Kühllüfter	Cooling motor	M3

Dampfgenerator / Steam generator

Spannung / Voltage: **3 N AC 400V 50Hz**

Baugruppe / Group: **4** Ausgabe / Edition: **4.1.1**

Gültig ab Seriennummer / Applicable from serial. no.: **E11MA97061001**



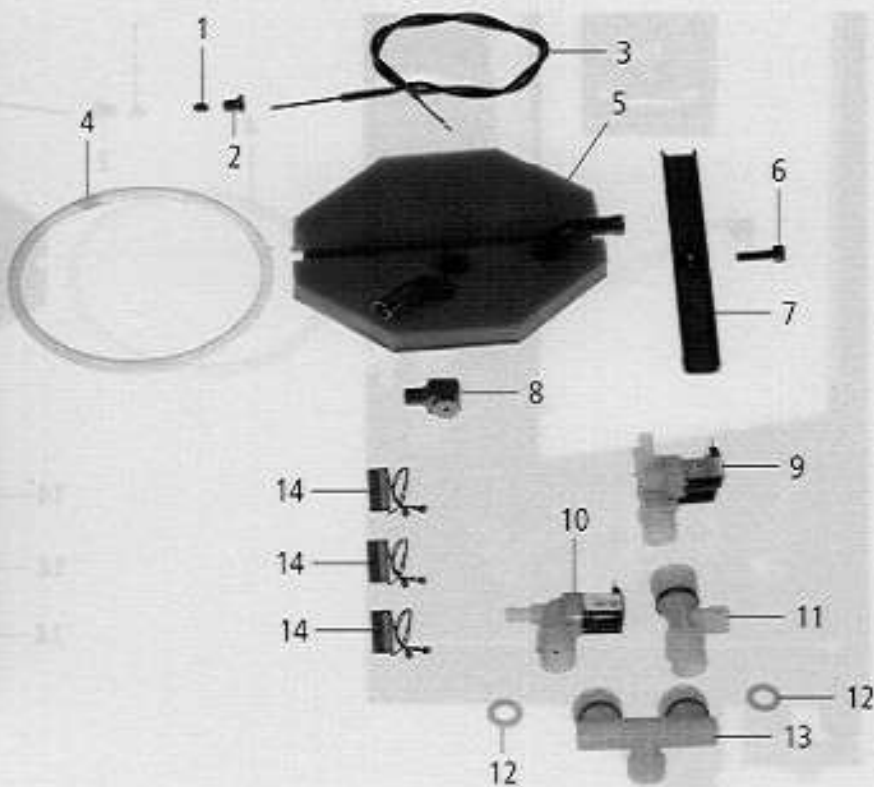
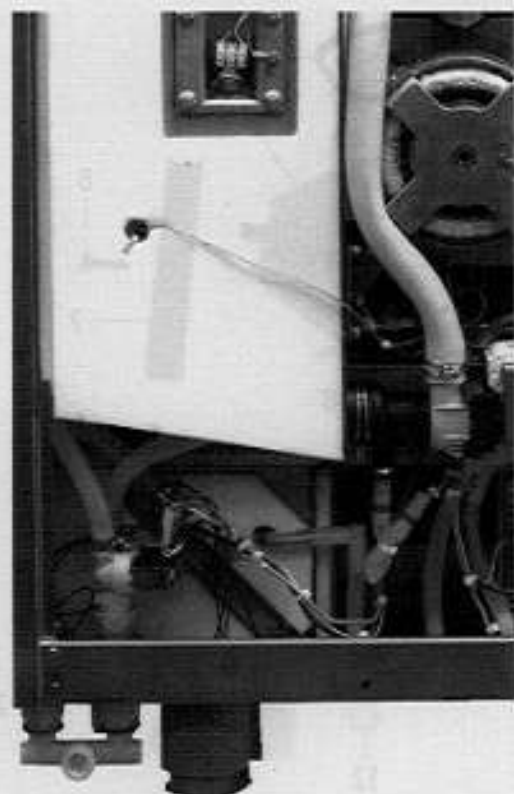
Pos.	St.	Ersatzteil Nr.	Bezeichnung	Description	Bez. Sign.
Pos.	Pcs.	Spare part no.			
-	-	2067.0050	Silikonschlauch 1m	Silicone hose 1m	
1	2	3201.1000	Tauchheizkörper 3x3 kw 230V	Heating element 3x3 kw 230V	
2	3	5110.1003	Dichtung f. Tauchheizkörper	Gasket for heating element	
3	12	1106.0803	Sechskant-Combinutter M6 verzinkt	Hex combi nut M6 galv	
4	1	3002.0402	Füllstandselektrode 90mm	Filling level electrode 90mm	S4
5	1	2920.1300	Einsatz Niveauelektrode	Level electrode insert	
6	1	2740.1040	Klemmblech Dampfgenerator	Clamping plate for steam generator	
7	1	3014.0165	Thermoelement Dampfgenerator	Thermo element steam generator	B2
8	1	3014.0300	Trockengehschutz 135°C	Dry up protector 135°C	F5
9	1	2112.1303	Entleerschlauch	Emptying hose	
10	1	3002.1000	Entleerungspumpe 200-240V 50/60Hz	Emptying pump 200-240V 50/60Hz	M2
11	1	5012.0560	O-Ring Dichtung Entleerungspumpe	O-Ring gasket emptying pump	
12	1	2066.0519	Schlauchklemme 35,6mm	Hose clamp 35,6mm	
13	1	2118.1000	Pumpenanschlußstutzen	Pump connection spout	
14	1	2066.0526	Schlauchklemme 46mm	Hose clamp 46mm	
15	1	2066.0530	Schlauchklemme 16,4mm	Hose clamp 16,4mm	
16	1	2062.0331	Verbindungsteil GS 10	Connecting piece GS 10	
17	1	2066.0527	Schlauchklemme 14mm	Hose clamp 14mm	
18	1	2110.1008	Silikonschlauch DG-Entleerung	Drain hose steam generator	
19	1	2120.1259	Stopfen 10mm Entleerschlauch DG	Stop plug 10mm drain hose	
20	2	2066.0518	Schlauchklemme 30mm	Hose clamp 30mm	
21	1	2112.1306	Dampfschlauch	Steam hose	
22	1	2112.1006	Dampfschlauch 50x7mm	Steam hose 50x7mm	
23	2	2066.0504	Schlauchschele 40-60mm	Hose clamp 40-60mm	
24	2	2066.0300	Schlauchschele 50-70mm	Hose clamp 50-70mm	

Wasseranschluß / Water supply

Spannung / Voltage: **3 N AC 400V 50Hz**

Baugruppe / Group: **10** Ausgabe / Edition: **10.1.1**

Gültig ab Seriennummer / Applicable from serial. no.: **E11MA97061001**



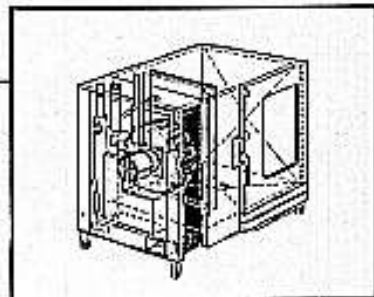
Pos.	St.	Ersatzteil Nr.	Bezeichnung	Description	Bez. Sign.
Pos.	Pcs.	Spare part no.			
-	-	2067.0050	Silikonschlauch 1m	Silicone hose 1m	
-	6	2066.0205	Schlauchschnelle 12-18mm	Hose clamp 12-18mm	
1	1	3014.0162	Dichtkegel für Thermoelement	Sealing cone for thermo element	
2	1	3014.0163	Stopfbuchsnippel für Thermoelement	Gasket sleeve with nipple	
3	1	3014.1005	Thermoelement kurz	Thermocouple short	B2
4	1	5012.0566	O-Ring Dichtung Ablöschkasten	O-Ring gasket quenching chamber	
5	1	8666.1318	Flansch Ablöschkasten	Flange quenching chamber	
6	1	1008.0752	Sechskantschraube M5x10	Hexagonal screw M5x10	
7	1	2715.1320	Spannbügel für Revisionsdeckel Ablöschkasten	Cross bar for cover quenching box	
8	1	2016.0935	Ablöschdüse 2,3 l/min	Quenching nozzle 2.3 l/min.	
9	1	3002.0330	Doppelmagnetventil kpl. 220-240V 50Hz	Double solenoid valve unit 220-240V 50Hz	
10	1	3002.0331	Einfachmagnetventil kpl. 220-240V 50Hz	Single solenoid valve unit 220-240V 50Hz	Y1,Y3
11	1	8464.1300	T-Stück Wasseranschluss Handbrause	T-water connection handshower	Y2
12	3	5110.1024	Dichtung für Verschraubung G 3/4"	Gasket for G3/4" threaded joint	
13	1	8664.1301	Brückenfitting 3/4" Wasseranschluss	Water connection fitting 3/4"	
14	3	3035.0508	RC-Glied	RC-link	C6-C8

Sonstiges / Miscellaneous

 Baugruppe / Group: **12** Ausgabe / Edition: **12.1.1**

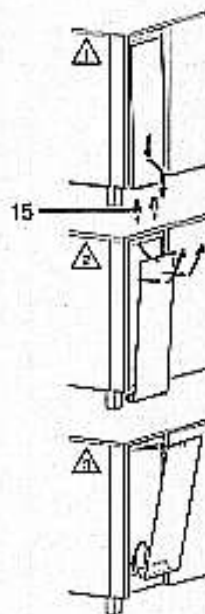
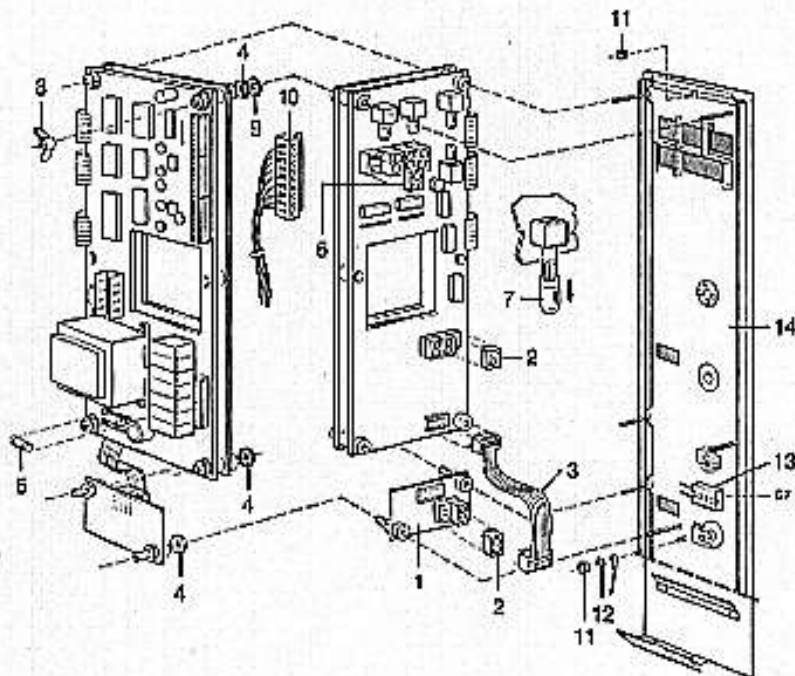
 Gültig ab Seriennummer / Applicable from serial. no.: **E11MA97061001**

Pos.	Ersatzteilnr. / Spare part no.	Bezeichnung	Description
1	1003.2260	Leinsenk-Blechschrabe HC4,2x16	Raised countersunk head - self-tapping screw HC4,2x16
2	1004.2160	Sechskant Blechschrabe B4,2x16	Hex head tapping screw B4, 2x16
3	1104.0821	Blechmutter B3,9	Clamp B3,9
4	1107.0100	Schnellbefestiger d4,0 mm	Quick fastener d4.0 mm
5	1107.0101	Schnellbefestiger d5,0mm	Quick fastener d5,0mm
6	1107.0102	Schnellbefestiger d12mm	Quick fastener d12mm
7	1107.0103	Schnellbefestiger d3mm	Quick fastener d3mm
8	1311.2260	Schraubenrosette 5x12,5	Rosette 5x12,5
9	1603.0165	Blindniete 3,2x9,5	Blind rivet 3.2x9.5
10	1901.0042	Blechklammer für Außenmantel	Clamp for exterior cabinet
11	1901.0044	Blechklammer für Deckel bis 05/95	Clamp for cover up to 05/95
12	2001.0042	Loctite Schraubensicherung 10ml	Screw locking, heat resistant 10ml
13	2005.0603	Lenkrolle d/125 mit Feststeller	Castor d/125 with stopper
14	2005.0604	Lenkrolle d/125 ohne Feststeller	Castor d/125 without stopper
15	2039.0111	Metall-Einsteckfuß 40x40	Foot adjustable metal, 40 x 40
16	2039.0120	Fußoberteil 85mm	Upper part of pedestal 85mm
17	2039.0121	Fußunterteil	Lower part of pedestal
18	3016.1409	Magnet rund Tischgeräte	Magnet round table models
19	4002.0100	Flachsteckhülse 2,5x6,3	Cable shoes 2,5x6,3
20	4004.0100	Aderendhülse 1,0mm ²	Wire end sleeve 1,0mm ²
21	4004.0101	Aderendhülse 1,5mm ²	Wire end sleeve 1,5mm ²
22	4004.0102	Aderendhülse 2,5mm ²	Wire end sleeve 2,5mm ²
23	4004.0103	Aderendhülse 4mm ²	Wire end sleeve 4mm ²
24	4004.0104	Aderendhülse 6mm ²	Wire end sleeve 6mm ²
25	4004.0105	Aderendhülse 10mm ²	Wire end sleeve 10mm ²
26	4004.0106	Aderendhülse 16mm ²	Wire end sleeve 16mm ²
27	4004.0114	Aderendhülse 0,75mm ²	Wire end sleeve 0,75mm ²
28	4005.0101	Kabelbinder 145mm lang	Cable strap 145mm long
29	4005.0102	Kabelbinder 100mm lang	Cable strap 100mm long
30	4007.0305	Kabelverschraubung PG 21	Screw-type conduit fitting PG 21
31	4007.0306	Reduzierstück PG 29/21	Reducing socket PG 29/21
32	4007.0405	Kabelverschraubung PG 16	Screw-type conduit fitting PG 16
33	4007.0406	Reduzierstück PG 29/16	Reducing socket PG 29/16
34	4007.0521	Sechskantmutter für PG 13,5	Hex screw for PG 13,5
35	4007.0526	Sechskantmutter für PG 21	Hex screw for PG 21
36	4007.0604	Kabelverschraubung PG 42 mit Zugentlast.	Cable connection PG 42, strain relief
37	4007.0605	Sechskantmutter PG42	Lock nut cable connection PG 42
38	4007.0606	Kabelverschraubung PG 36	Screw-type conduit fitting PG 36
39	4007.0607	Sechskantmutter für PG 36	Hex screw for PG 36
40	4007.0614	Stopfen PG 13,5	Plug PG 13,5
41	4007.0615	Stopfen PG 21	Plug PG 21
42	4007.0621	Durchführungsstülpe d 36mm	Lead-in grommet d 36 mm
43	5003.0300	Isolierung Dampfgenerator 1250x1250mm	Insulation steam generator 1250x1250mm
44	5006.0200	Tube Silikon E41	Silicone (tube) E41
45	5006.0500	Kleber Isolierung Dampfgenerator 310ml	Adhesive isulation steam generator 310ml
46	6004.0100	Handdruck Sprühpistole	Spray-pistol
47	6004.0101	Verlängerung Handdruck Sprühpistole	Lengthening piece for spray-pistol
48	6004.0102	Dichtung Handdruck Sprühpistole	Gasket for spray-pistol
49	6004.0203	Entkalker-Fußpumpe	Descaler foot pump
50	6006.0101	RATIONAL Spezialreiniger	RATIONAL special cleaning agent
51	6006.0110	RATIONAL Entkalker	RATIONAL descaler
52	9003.0202	Unimoly plus, 180 °C	Unimoly plus, 180 °C
53	9006.0850	Metallwaschcreme	Stainless steel cleaning paste

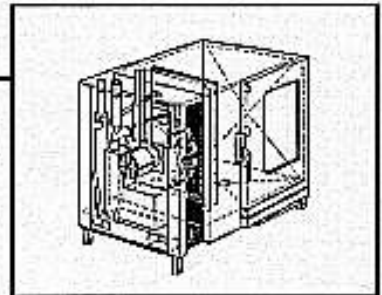


Control Panel

Component Group	Page	Edition	applicable from Serial No.
1	1.2	1.2.1	11M 86 03 1003

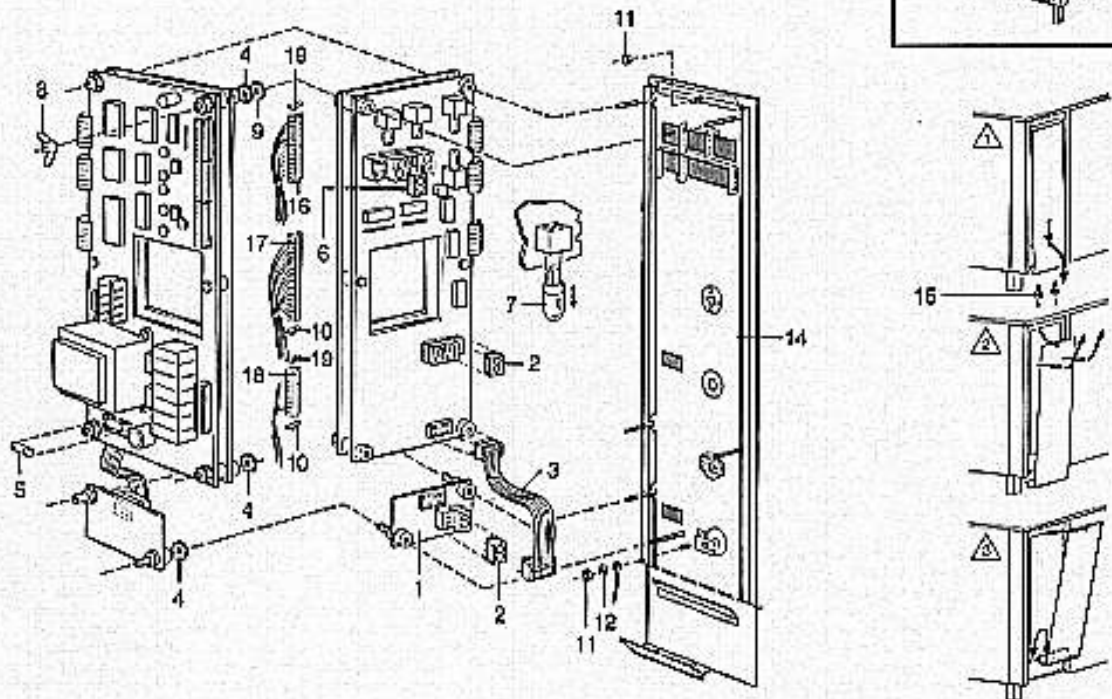


Pos.	Pcs.	Sp.	Part No.	Description	Sign
-	1		3040.0100	PCB - complete (pos. 1 - 7)	
1	1		3040.0152	PCB - core temperature (pos. 2, 3, 4)	
2	5		3040.0170	LED-display	
3	1		3040.0161	flat cable	
4	8		3040.0180	spacer	
5	1		3019.0110	fuse 0,1 A	F4
6	4		3040.0171	LED-display	
7	4		3024.0210	bulb	
8	6		1104.0500	wing-nut	
9	2		2022.0100	gasket	
10	4		3040.0160	multipoint connector	
11	2		1106.0160	hex nut M 6	
12	1		1206.0120	toothed lock washer A 6,4	
13	1		3035.0508	RC-link	C7
14	1		8600.0101	front panel	
15	2		1004.2160	hex head tapping screw B 4,2	

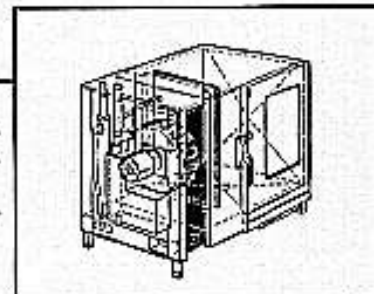


Control Panel

Component Group	Page	Edition	applicable from Serial No.
1	1.2	1.2.2	11M 87 111379

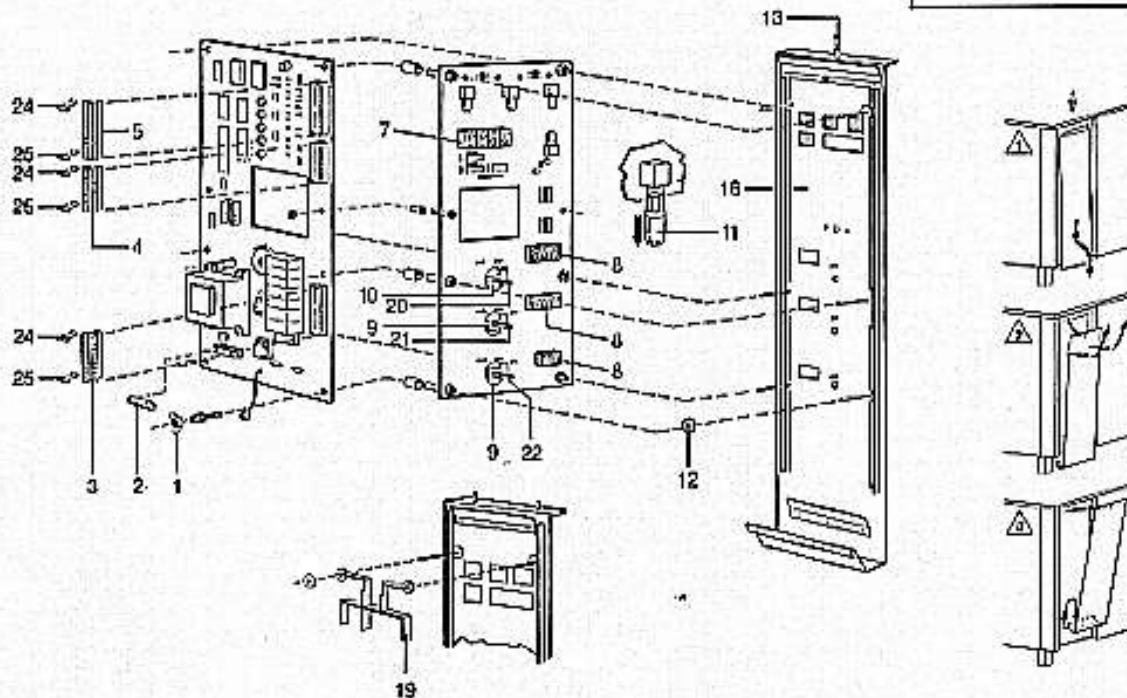


Pos.	Pcs.	Sp.	Part No.	Description	Sign
-	1		3040.0100	PCB - complete (pos. 1 - 7)	
1	1		3040.0152	PCB - core temperature (pos. 2,3,4)	
2	5		3040.0170	LED-dsplay	
3	1		3040.0161	flat cable	
4	6		3040.0180	gasket	
5	1		3018.0111	fuse 0,25 A	F4
6	4		3040.0171	LED-display	
7	4		3024.0210	bulb	
8	8		1104.0500	wing-nut M4	
9	2		2022.0100	gasket	
10	2		3040.0164	clip for multipoint connector right	
11	2		1106.0160	hex nut M6	
12	1		1206.0120	toothed lock washer A6,4	
14	1		8600.0101	front panel	
15	2		1004.2160	hex head tapping screw B4,2	
16	1		3040.0162	multipoint connector BL13	
17	1		3040.0163	multipoint connector BL14	
18	1		3040.0160	multipoint connector BL9	
19	2		3040.0191	clip for multipoint connector left	



Control Panel

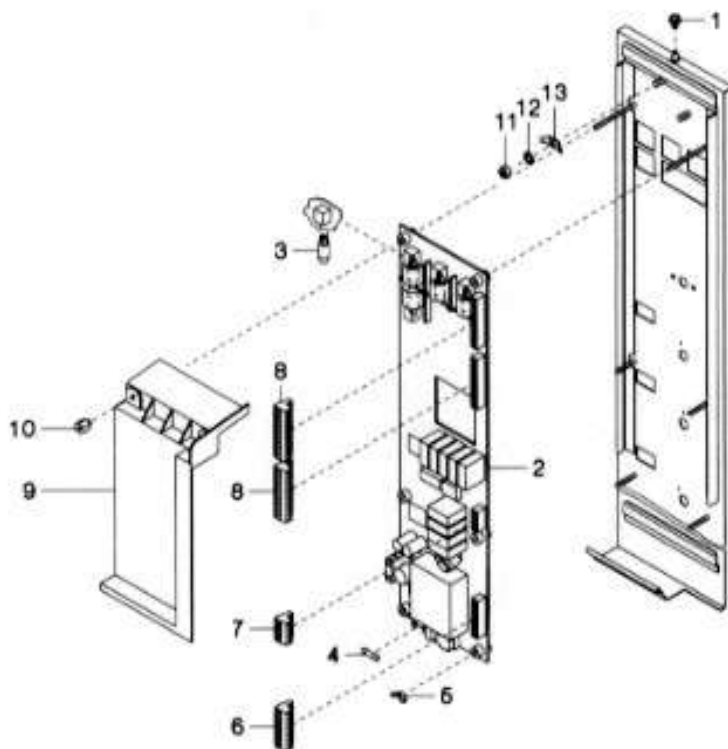
Component Group	Page	Edition	applicable from Serial No.
1	1.2	1.2.3	11M 89 041210



Pos.	Pcs.	Sp.	Part No.	Description	Sign
-	1		3040.0110	PCB - complete (pos. 1-8)	
1	6		1104.0500	wing nut M4	
2	1		3019.0111	fuse 0,25 A	F4
3	1		3040.0160	multipoint connector BL9	
4	1		3040.0165	multipoint connector BL8	
5	1		3040.0166	multipoint connector BL11	
7	4		3040.0171	LED-display	
8	8		3040.0170	LED-display	
9	2		2510.520731	stop for potl core temp./timer	
10	1		2510.530746	stop for potl hot air	
11	4		3024.0210	bulb	
12	6		2022.0100	gasket	
13	2		1005.2000	safety screw	
16	1		8600.01010489	front panel	
18	1		1206.0120	toothed lock washer A6,4	
19	1		2024.0100	plastic lamp dome	
20	1		3040.0181	potl hot air	Koch
21	1		3040.0182	potl timer	Koch
22	1		3040.0183	potl core temp.	Koch
20	1		3040.0188	potl plug hot air	Koch
21	1		3040.0189	potl plug timer	Koch
22	1		3040.0190	potl plug core temp.	Koch
20	1		3040.0184	potl hot air	EGO
21	1		3040.0185	potl timer	EGO
22	1		3040.0186	potl core temp.	EGO
24	3		3040.0191	clip for multipoint connector left	
25	3		3040.0164	clip for multipoint connector right	

Control Panel

Voltage	Group	Page	Edition	Application from Serial. No.
3 N AC 380V 50Hz	1	1.2	1.2.4	11M91042001



Pos.	Pcs.	Sp.	Part No.	Description	Sign.
1	1		1002.2000	safety screw M5x8	
2	1		3040.2030	PCB complete	
3	4		3024.0210	bulb	
4	1		3019.0116	fuse 0,125A	F6
5	6		1104.0500	wing-nut M4	
6	1		3040.0160	multipoint connector BL9	
7	1		3040.0195	multipoint connector BL5	
8	2		3040.0199	multipoint connector BL12	
9	1		2039.0317	cover for pcb	
10	1		1116.0101	sleeve nut	
11	1		1106.0160	hex nut M6	
12	1		1206.0120	toothed lock washer A6,4	
13	1		4002.0110	branch box for flat plug	